

GAS GOVERNOR 1/2", 3/4" and 1" – Pmax 2 bar



| Code | Description | Dimension | Pmax |
|------------------|------------------------------------------------|-----------|-------|
| RG015-2B | Gas Governor | 1/2" | 2 bar |
| RG020-2B | Gas Governor | 3/4" | 2 bar |
| RG025-2B | Gas Governor | 1" | 2 bar |
| RGD25-2B | Gas Governor | 1" | 2 bar |
| RG032-FT-2B | Gas Governor with filter | 1 1/4" | 2 bar |
| RG040-FT-2B | Gas Governor with filter | 1 1/2" | 2 bar |
| RGD32-FT-2B | Gas Governor with filter | DN32 | 2 bar |
| RGD40-FT-2B | Gas Governor with filter | DN40 | 2 bar |
| RG015-2B-TPIO | Gas Governor with test point in/out | 1 1/4" | 2 bar |
| RG020-2B-TPIO | Gas Governor with test point in/out | 1 1/2" | 2 bar |
| RG025-2B-TPIO | Gas Governor with test point in/out | DN32 | 2 bar |
| RG015-FT-2B-TPIO | Gas Governor with filter and test point in/out | 1 1/4" | 2 bar |
| RG020-FT-2B-TPIO | Gas Governor with filter and test point in/out | 1 1/2" | 2 bar |
| RG025-FT-2B-TPIO | Gas Governor with filter and test point in/out | DN32 | 2 bar |

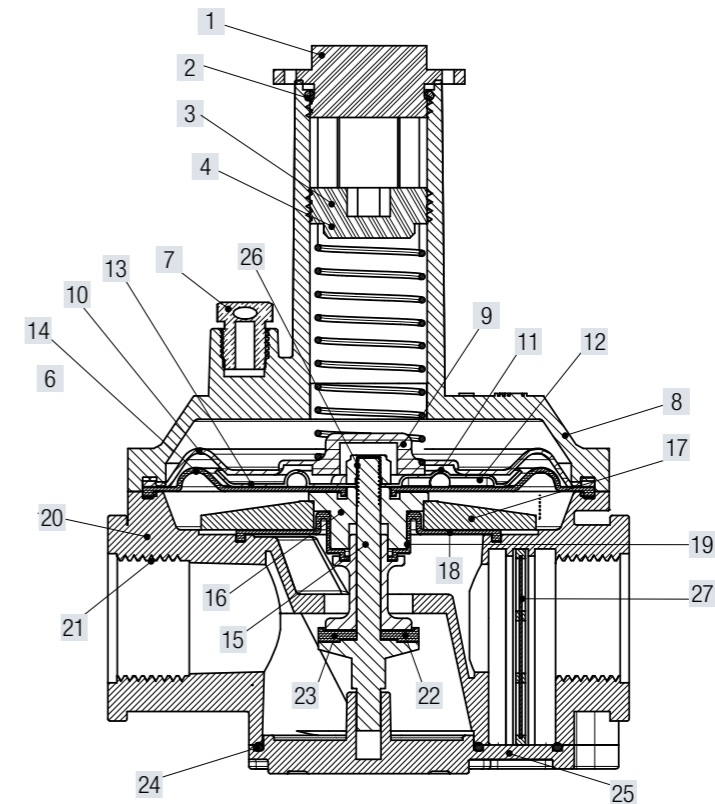
TECHNICAL FEATURES

| | |
|----------------------------------|------------------------------------------------------------------------------------------------------------|
| Pmax | inlet max – 2 bar |
| Setting outlet | 10 – 300 mbar – Standard spring supplied 10 – 27 mbar – Other spring on request – Range as per below table |
| Filtering | ≤ 50µm – |
| Inlet - Outlet Connection | Thread gas 1/2", 3/4" 1" - ISO 228 DN25 - Sliding Aluminium flange PN10 |
| Test point | 1/8" NPT |
| Working Temperature | - 20 °C – + 60 °C |
| Use | Not aggressive gases of three families – Natural Gas – LPG – Town Gas |
| Approval | UNI EN 88-2:2008 |

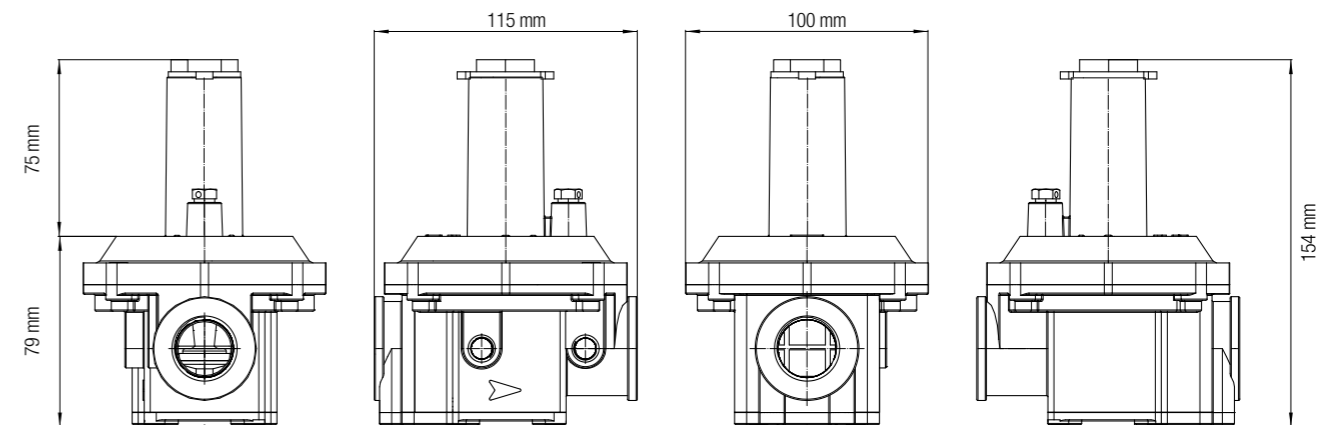
Materials:

| | |
|---------------------------|--------------------------------------------------|
| Complete Body | Die – Cast Aluminium Gd – AISi12Cu - EN AB 46100 |
| Diaphragms | NBR 60Sh – DvGW EN 549 |
| Plastic components | Yellow POM / Pa 66 + 25% Gf |

| Code: | Color | Range mbar |
|---------|---------|--------------|
| SPY1-12 | Yellow | 6 - 22 mbar |
| SPN1-12 | Neutral | 10 - 27 mbar |
| SPR1-12 | Red | 28 - 70 mbar |

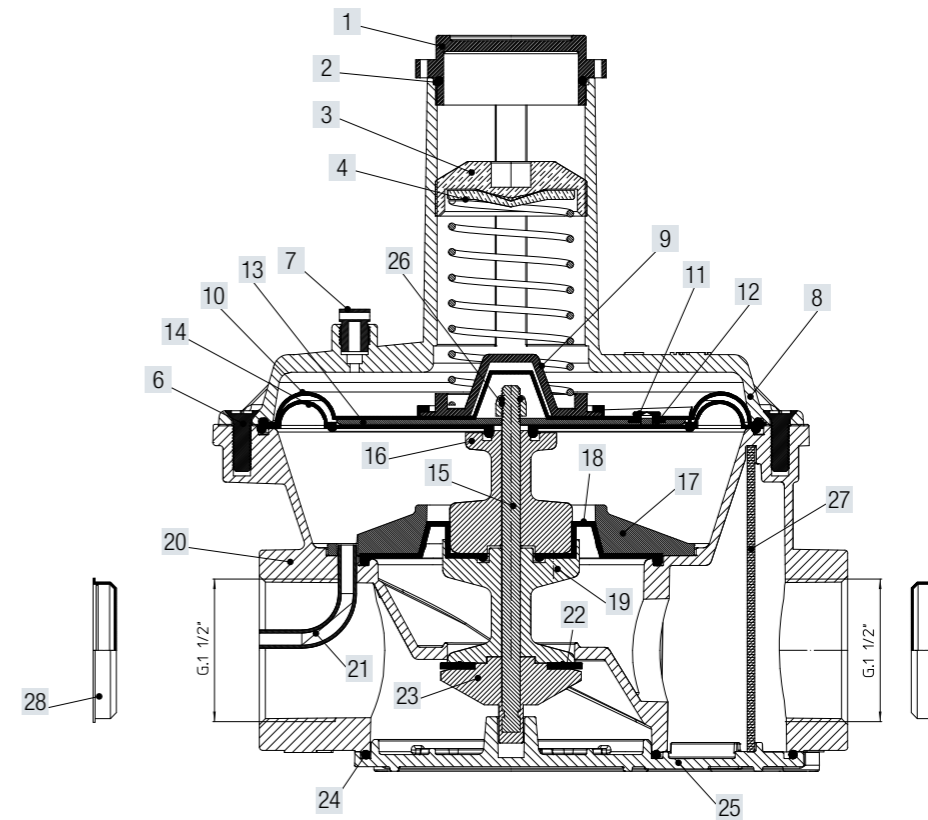


| | | | |
|----|------------------------|----|-------------------|
| 1 | Seal cap | 15 | Shaft |
| 2 | O ring | 16 | Upper bush |
| 3 | Spring compressor | 17 | Disc |
| 4 | Washer | 18 | Working diaphragm |
| 6 | Screws | 19 | Lower bush |
| 7 | Vent cap | 20 | Body |
| 8 | Upper cover | 21 | Sensing tube |
| 9 | Plastic Washer | 22 | Seal washer |
| 10 | Safety diaphragm | 23 | Plastic ring |
| 11 | Calibrated nozzle | 24 | Gasket |
| 12 | Washer | 25 | Cover |
| 13 | Disc | 26 | Nut |
| 14 | Compensation diaphragm | 27 | Filter cartridge |



| Dimension | 1/2" | 3/4" | 1" |
|---------------------|-------|-------|-------|
| WEIGHT (kgs) | 0,720 | 0,688 | 0,663 |

GAS GOVERNOR 1 ¼", 1 ½" – Pmax 2 bar



| Code | Description | Dimension | Pmax |
|------------------|--------------------------------------------|-----------|-------|
| RG032-2B | Gas Governor | 1 ¼" | 2 bar |
| RG040-2B | Gas Governor | 1 ½" | 2 bar |
| RGD32-2B | Gas Governor | DN32 | 2 bar |
| RGD40-2B | Gas Governor | DN40 | 2 bar |
| RG032-FT-2B | Gas Governor with filter | 1 ¼" | 2 bar |
| RG040-FT-2B | Gas Governor with filter | 1 ½" | 2 bar |
| RGD32-FT-2B | Gas Governor with filter | DN32 | 2 bar |
| RGD40-FT-2B | Gas Governor with filter | DN40 | 2 bar |
| RG032-2B-TPIO | Gas Governor with test point in/out | 1 ¼" | 2 bar |
| RG040-2B-TPIO | Gas Governor with test point in/out | 1 ½" | 2 bar |
| RGD32-2B-TPIO | Gas Governor with test point in/out | DN32 | 2 bar |
| RGD40-2B-TPIO | Gas Governor with test point in/out | DN40 | 2 bar |
| RG032-FT-2B-TPIO | Gas Governor with filter test point in/out | 1 ¼" | 2 bar |
| RG040-FT-2B-TPIO | Gas Governor with filter test point in/out | 1 ½" | 2 bar |
| RGD32-FT-2B-TPIO | Gas Governor with filter test point in/out | DN32 | 2 bar |
| RGD40-FT-2B-TPIO | Gas Governor with filter test point in/out | DN40 | 2 bar |

TECHNICAL FEATURES

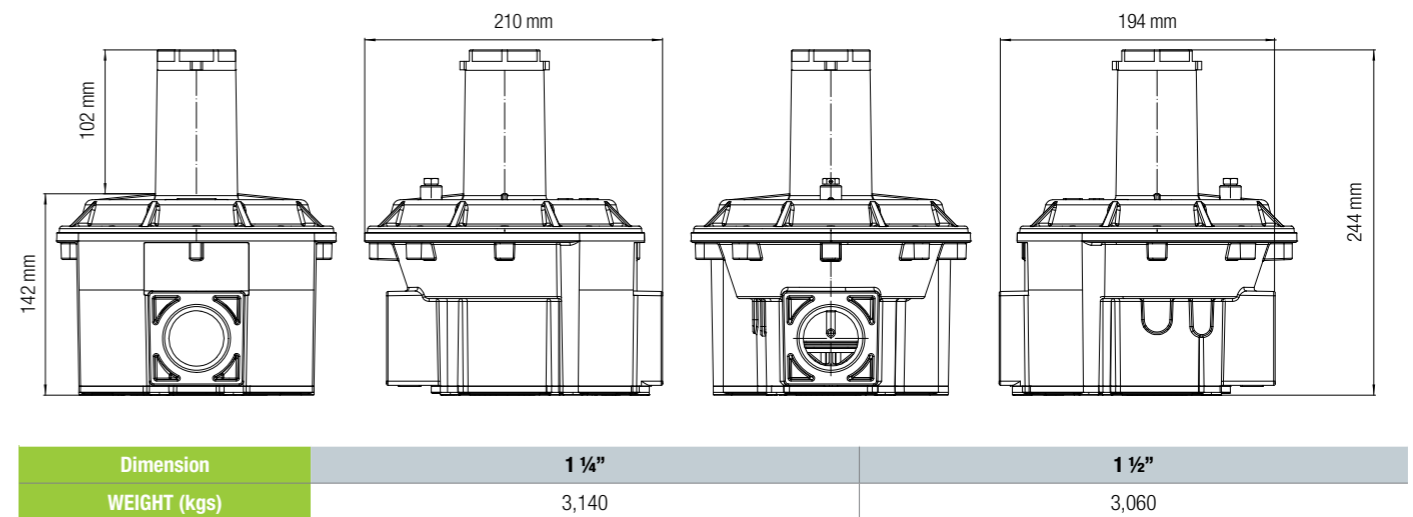
| | |
|----------------------------------|------------------------------------------------------------------------------------------------------------|
| Pmax | inlet max – 2 bar |
| Setting outlet | 10 – 300 mbar – Standard spring supplied 10 – 27 mbar – Other spring on request – Range as per below table |
| Filtering | ≤ 50µm – Viledon cartridge |
| Inlet - Outlet Connection | Thread gas 1 ¼" 1 ½" - ISO 228 DN32 DN40 - Sliding Aluminium flange PN10 |
| Test point | 1/8" NPT |
| Working Temperature | - 20 °C – + 60 °C |
| Use | Not aggressive gases of three families – Natural Gas – LPG – Town Gas |
| Approval | UNI EN 88-2:2008 |

Materials:

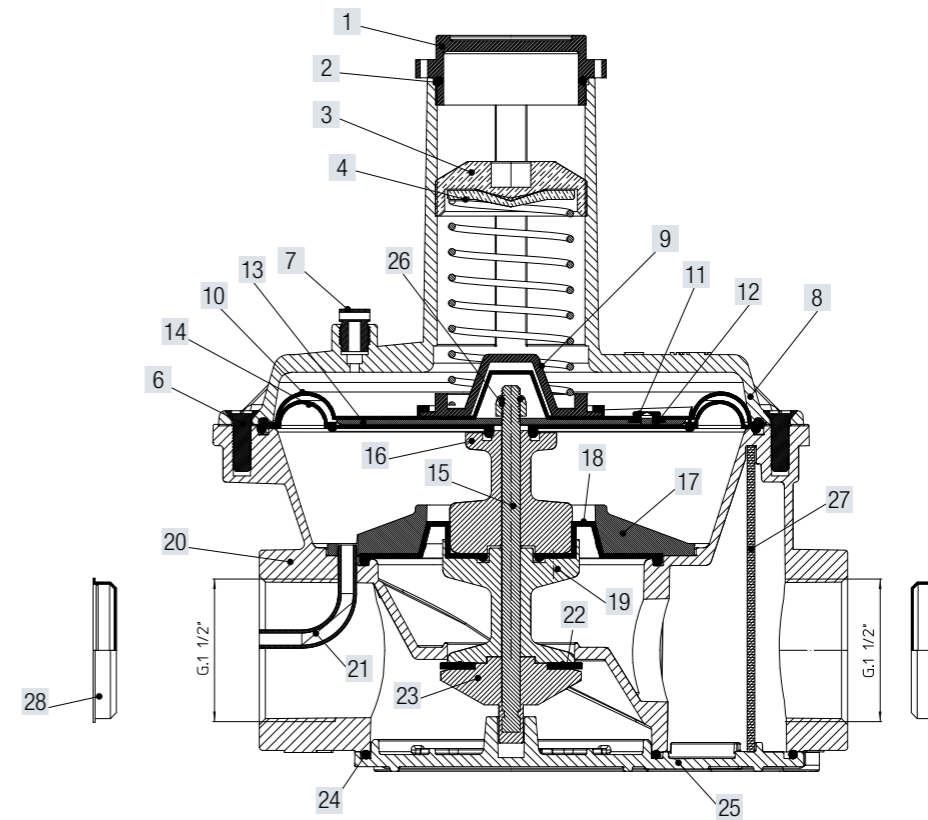
| | |
|---------------------------|--------------------------------------------------|
| Complete Body | Die – Cast Aluminium Gd – AISI12Cu - EN AB 46100 |
| Diaphragms | NBR 60Sh – DvGW EN 549 |
| Plastic components | White POM / Pa 66 + 25% Gf |

| Code: | Color | Range mbar |
|----------|---------|---------------|
| SPY2-12 | Yellow | 6 - 22 mbar |
| SPN2-12 | Neutral | 10 - 27 mbar |
| SPR2-12 | Red | 28 - 70 mbar |
| SPBK2-12 | Black | 60 - 130 mbar |

- | | |
|---------------------------|----------------------|
| 1 Seal cap | 15 Shaft |
| 2 O ring | 16 Upper bush |
| 3 Spring compressor | 17 Disc |
| 4 Washer | 18 Working diaphragm |
| 6 Screws | 19 Lower bush |
| 7 Vent cap | 20 Body |
| 8 Upper cover | 21 Sensing tube |
| 9 Plastic Washer | 22 Seal washer |
| 10 Safety diaphragm | 23 Plastic ring |
| 11 Calibrated nozzle | 24 Gasket |
| 12 Washer | 25 Cover |
| 13 Disc | 26 Nut |
| 14 Compensation diaphragm | 27 Filter cartridge |
| | 28 Screw cover |



GAS GOVERNOR 2" – Pmax 2 bar



| Code | Description | Dimension | Pmax |
|-------------------------|------------------------------------------------|-----------|-------|
| RG050-2B | Gas Governor | 2" | 2 bar |
| RGD50-2B | Gas Governor | DN50 | 2 bar |
| RG050-FT-2B | Gas Governor with filter | 2" | 2 bar |
| RGD50-FT-2B | Gas Governor with filter | DN50 | 2 bar |
| RG050-2B-TPIO | Gas Governor with test point in/out | 2" | 2 bar |
| RGD50-2B-TPIO | Gas Governor with test point in/out | DN50 | 2 bar |
| RG050-FT-2B-TPIO | Gas Governor with filter and test point in/out | 2" | 2 bar |
| RGD50-FT-2B-TPIO | Gas Governor with filter and test point in/out | DN50 | 2 bar |

TECHNICAL FEATURES

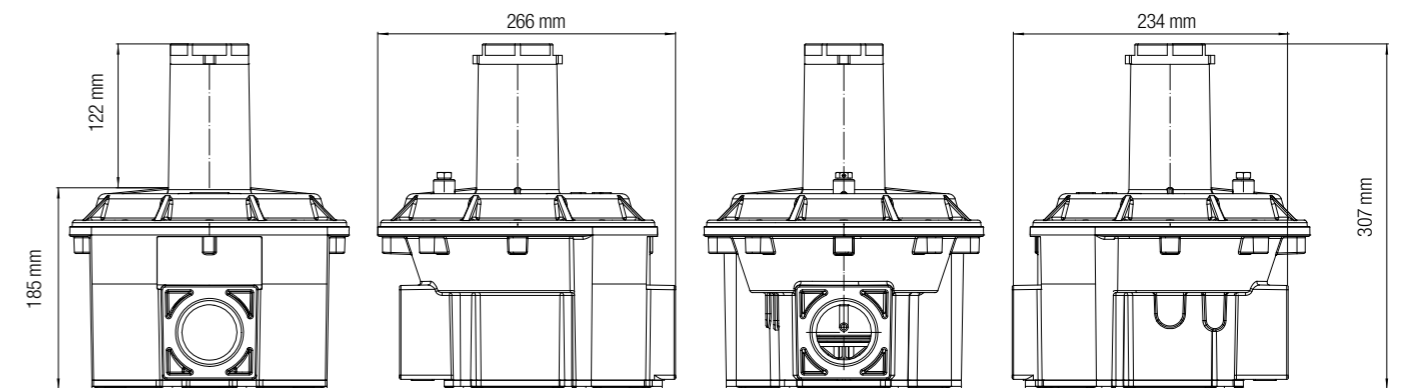
| | |
|----------------------------------|------------------------------------------------------------------------------------------------------------|
| Pmax | inlet max – 2 bar |
| Setting outlet | 10 – 300 mbar – Standard spring supplied 10 – 27 mbar – Other spring on request – Range as per below table |
| Filtering | ≤ 50µm – Viledon cartridge |
| Inlet - Outlet Connection | Thread gas 2" - ISO 228 DN50 - Sliding Aluminium flange PN10 |
| Test point | 1/8" NPT |
| Working Temperature | - 20 °C – + 60 °C |
| Use | Not aggressive gases of three families – Natural Gas – LPG – Town Gas |
| Approval | UNI EN 88-2:2008 |

Materials:

| | |
|---------------------------|--------------------------------------------------|
| Complete Body | Die – Cast Aluminium Gd – AISi12Cu - EN AB 46100 |
| Diaphragms | NBR 60Sh – DvGW EN 549 |
| Plastic components | White POM / Pa 66 + 25% Gf |

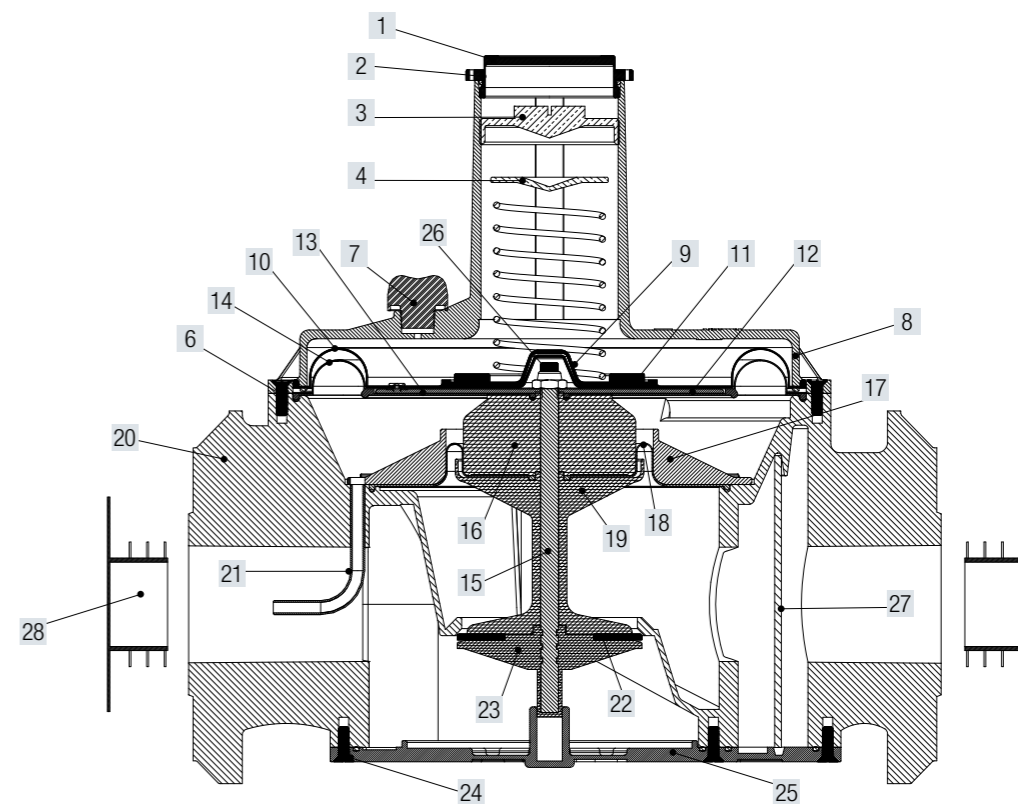
| Code: | Color | Range mbar |
|-----------------|---------|---------------|
| SPY3-12 | Yellow | 6 - 22 mbar |
| SPN3-12 | Neutral | 10 - 27 mbar |
| SPR3-12 | Red | 28 - 70 mbar |
| SPBK3-12 | Black | 60 - 130 mbar |

| | | | |
|-----------|------------------------|-----------|-------------------|
| 1 | Seal cap | 15 | Shaft |
| 2 | O ring | 16 | Upper bush |
| 3 | Spring compressor | 17 | Disc |
| 4 | Washer | 18 | Working diaphragm |
| 6 | Screws | 19 | Lower bush |
| 7 | Vent cap | 20 | Body |
| 8 | Upper cover | 21 | Sensing tube |
| 9 | Plastic Washer | 22 | Seal washer |
| 10 | Safety diaphragm | 23 | Plastic ring |
| 11 | Calibrated nozzle | 24 | Gasket |
| 12 | Washer | 25 | Cover |
| 13 | Disc | 26 | Nut |
| 14 | Compensation diaphragm | 27 | Filter cartridge |
| | | 28 | Screw cover |



| | |
|---------------------|-----------|
| Dimension | 2" |
| WEIGHT (kgs) | 5,8 |

GAS GOVERNOR DN65, DN80, DN100 - Pmax 2 bar



| Code | Description | Dimension | Pmax |
|--------------------------------|------------------------------------------------|-----------|-------|
| RGD65 - 2B | Gas Governor | DN65 | 2 bar |
| RGD80 - 2B | Gas Governor | DN80 | 2 bar |
| RGD100 - 2B | Gas Governor | DN100 | 2 bar |
| RGD65 - FT - 2B | Gas Governor with filter | DN65 | 2 bar |
| RGD80 - FT - 2B | Gas Governor with filter | DN80 | 2 bar |
| RGD100 - FT - 2B | Gas Governor with filter | DN100 | 2 bar |
| RGD65 - 2B - TPIO | Gas Governor with test point in/out | DN65 | 2 bar |
| RGD80 - 2B - TPIO | Gas Governor with test point in/out | DN80 | 2 bar |
| RGD100 - 2B - TPIO | Gas Governor with test point in/out | DN100 | 2 bar |
| RGD65 - FT - 2B - TPIO | Gas Governor with filter and test point in/out | DN65 | 2 bar |
| RGD80 - FT - 2B - TPIO | Gas Governor with filter and test point in/out | DN80 | 2 bar |
| RGD100 - FT - 2B - TPIO | Gas Governor with filter and test point in/out | DN100 | 2 bar |

TECHNICAL FEATURES

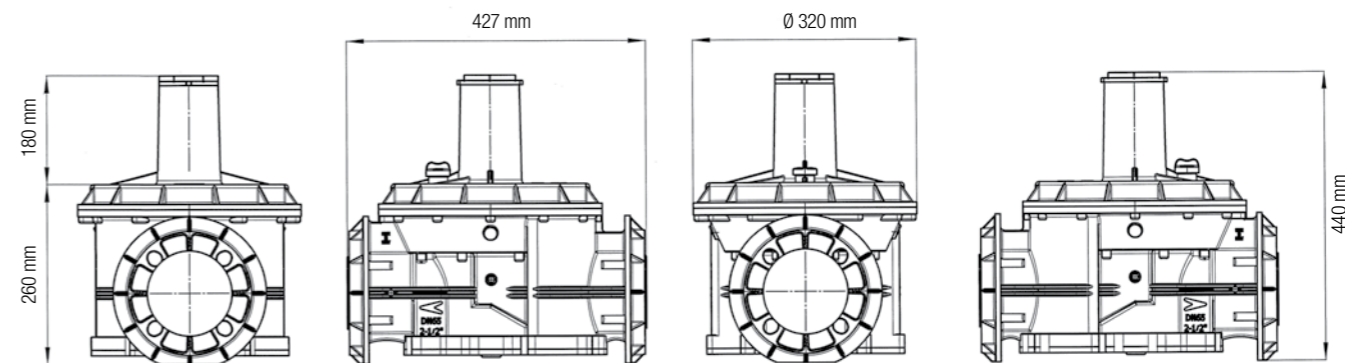
| | |
|----------------------------------|---------------------------------------------------------------------------------|
| Pmax | inlet max – 2 bar |
| Setting outlet | 10 – 300 mbar – Standard spring supplied 10 – 27 mbar – Other spring on request |
| Filtering | ≤ 50µm – Viledon cartridge |
| Inlet - Outlet Connection | Flanged connection DN65 DN80 - DN100 - PN16 |
| Test point | Inlet / outlet on request – Test point 1/8" NPT |
| Working Temperature | - 20 °C – + 60 °C |
| Use | Not aggressive gases of three families – Natural Gas – LPG – Town Gas |
| Approval | UNI EN 88-2:2008 |

Materials:

| | |
|---------------------------|--------------------------------------------------|
| Complete Body | Die – Cast Aluminium Gd – AISi12Cu - EN AB 46100 |
| Diaphragms | NBR 60Sh – DvGW EN 549 |
| Plastic components | White POM / Pa 66 + 25% Gf |

| Spring Range: | Color | Range mbar |
|---------------|---------|---------------|
| | White | 5 - 14 mbar |
| | Yellow | 6 - 22 mbar |
| | Neutral | 10 - 27 mbar |
| | Red | 28 - 70 mbar |
| | Black | 60 - 130 mbar |

| | | | |
|-----------|------------------------|-----------|-------------------|
| 1 | Seal cap | 15 | Shaft |
| 2 | O-Ring | 16 | Upper bush |
| 3 | Spring compressor | 17 | Disc |
| 4 | Washer | 18 | Working diaphragm |
| 6 | Screws | 19 | Lower bush |
| 7 | Vent cap | 20 | Body |
| 8 | Upper cover | 21 | Sensing tube |
| 9 | Plastic Washer | 22 | Seal washer |
| 10 | Safety diaphragm | 23 | Plastic ring |
| 11 | Calibrated nozzle | 24 | Gasket |
| 12 | Washer | 25 | Cover |
| 13 | Disc | 26 | Nut |
| 14 | Compensation diaphragm | 27 | Filter cartridge |
| | | 28 | Screw cover |



| Dimension | DN65 | DN80 | DN100 |
|---------------------|------|------|-------|
| WEIGHT (kgs) | 16 | 15,3 | 14,6 |