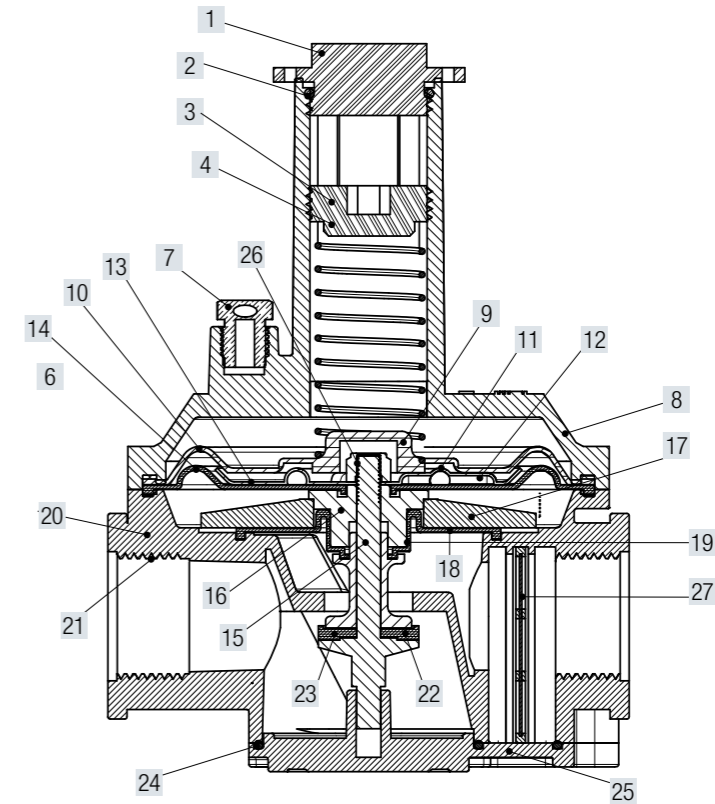


GAS GOVERNOR 1/2", 3/4", 1" – Pmax 500 mbar



Code	Description	Dimension	Pmax
RG015	Gas Governor	1/2"	500 mbar
RG020	Gas Governor	3/4"	500 mbar
RG025	Gas Governor	1"	500 mbar
RGD25	Gas Governor	DN25	500 mbar
RG015-FT	Gas Governor with filter	1/2"	500 mbar
RG020-FT	Gas Governor with filter	3/4"	500 mbar
RG025-FT	Gas Governor with filter	1"	500 mbar
RGD25-FT	Gas Governor with filter	DN25	500 mbar
RG015-TPIO	Gas Governor with test point in/out	1/2"	500 mbar
RG020-TPIO	Gas Governor with test point in/out	3/4"	500 mbar
RG025-TPIO	Gas Governor with test point in/out	1"	500 mbar
RGD25-TPIO	Gas Governor with test point in/out	DN25	500 mbar
RG015-FT-TPIO	Gas Governor with test point in/out	1/2"	500 mbar
RG020-FT-TPIO	Gas Governor with test point in/out	3/4"	500 mbar
RG025-FT-TPIO	Gas Governor with test point in/out	1"	500 mbar
RGD25-FT-TPIO	Gas Governor with test point in/out	DN25	500 mbar

TECHNICAL FEATURES

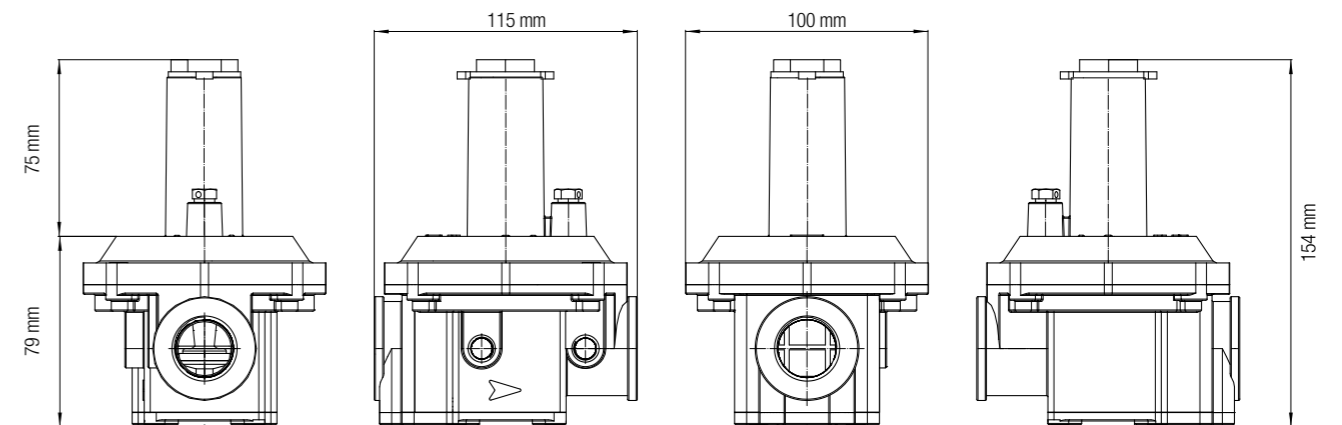
Pmax	inlet max – 500 mbar
Setting outlet	10 – 130 mbar – Standard spring supplied 10 – 27 mbar – Other spring on request – Range as per below table
Filtering	≤ 50µm – Plastic cartridge
Inlet - Outlet Connection	Thread gas 1/2", 3/4", 1" - ISO 228 DN25 - Sliding Aluminium flange PN10
Test point	1/8" NPT
Working Temperature	- 20 °C – + 60 °C
Use	Not aggressive gases of three families – Natural Gas – LPG – Town Gas
Approval	UNI EN 88-1:2011

Materials:

Complete Body	Die – Cast Aluminium Gd – AISI12Cu – EN AB 46100
Diaphragms	NBR 60Sh – DvGW EN 549
Plastic components	Yellow POM / Pa 66 + 25% Gf

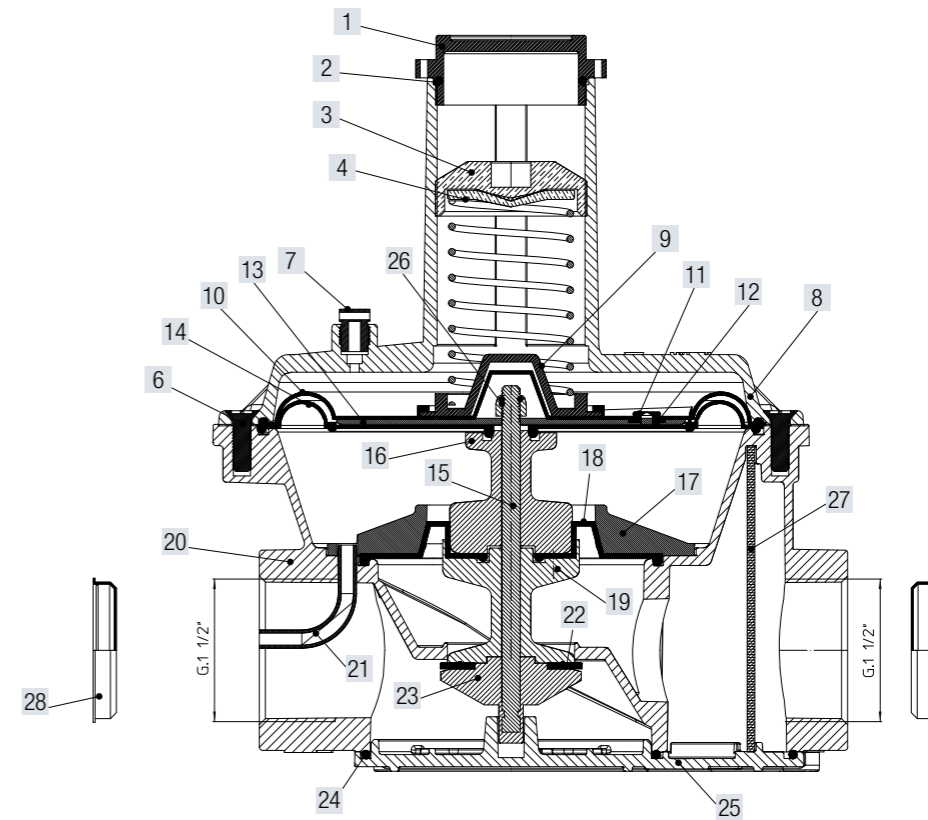
Code:	Color	Range mbar
SPW1-5	White	5 - 14 mbar
SPY1-5	Yellow	6 - 22 mbar
SPN1-5	Neutral	10 - 27 mbar
SPR1-5	Red	28 - 70 mbar
SPBK1-5	Black	60 - 130 mbar

1	Seal cap	15	Shaft
2	O ring	16	Upper bush
3	Spring compressor	17	Disc
4	Washer	18	Working diaphragm
6	Screws	19	Lower bush
7	Vent cap	20	Body
8	Upper cover	21	Sensing tube
9	Plastic Washer	22	Seal washer
10	Safety diaphragm	23	Plastic ring
11	Calibrated nozzle	24	Gasket
12	Washer	25	Cover
13	Disc	26	Nut
14	Compensation diaphragm	27	Filter cartridge



Dimension	1/2"	3/4"	1"
WEIGHT (kgs)	0,720	0,688	0,663

GAS GOVERNOR 1 ¼", 1 ½" – Pmax 500 mbar



Code	Description	Dimension	Pmax
RG032	Gas Governor	1 ¼"	500 mbar
RG040	Gas Governor	1 ½"	500 mbar
RGD32	Gas Governor	DN32	500 mbar
RGD40	Gas Governor	DN40	500 mbar
RG032-FT	Gas Governor with filter	1 ¼"	500 mbar
RG040-FT	Gas Governor with filter	1 ½"	500 mbar
RGD32-FT	Gas Governor with filter	DN32	500 mbar
RGD40-FT	Gas Governor with filter	DN40	500 mbar
RG032-TPIO	Gas Governor with test point in/out	1 ¼"	500 mbar
RG040-TPIO	Gas Governor with test point in/out	1 ½"	500 mbar
RGD32-TPIO	Gas Governor with test point in/out	DN32	500 mbar
RGD40-TPIO	Gas Governor with test point in/out	DN40	500 mbar
RG032-FT-TPIO	Gas Governor with filter and test point in/out	1 ¼"	500 mbar
RG040-FT-TPIO	Gas Governor with filter and test point in/out	1 ½"	500 mbar
RGD32-FT-TPIO	Gas Governor with filter and test point in/out	DN32	500 mbar
RGD40-FT-TPIO	Gas Governor with filter and test point in/out	DN32	500 mbar

TECHNICAL FEATURES

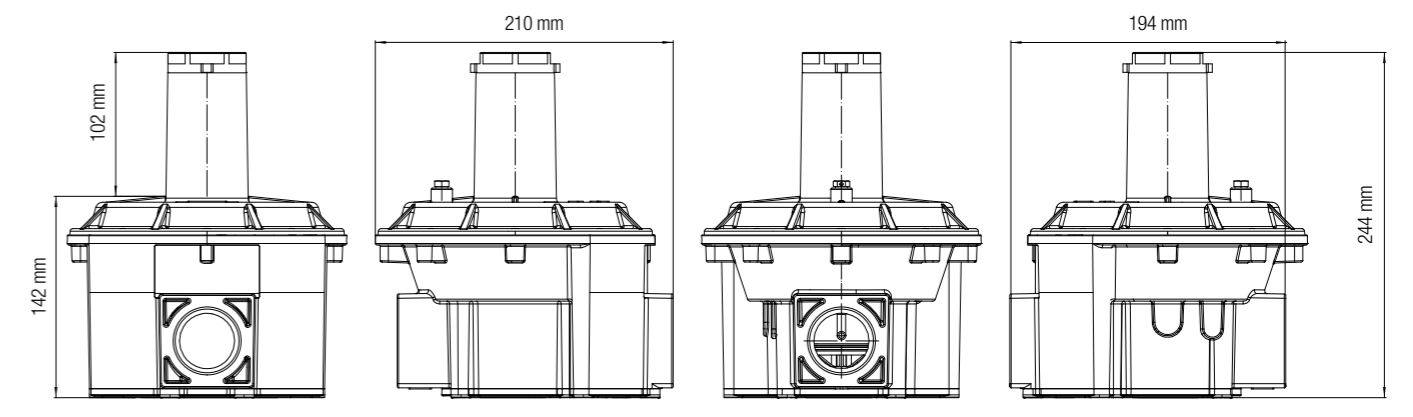
Pmax	inlet max – 500 mbar
Setting outlet	10 – 300 mbar – Standard spring supplied 10 – 27 mbar – Other spring on request – Range as per below table
Filtering	≤ 50µm – Viledon cartridge
Inlet - Outlet Connection	Thread gas 1 ¼" 1½" - ISO 228 DN32 - DN40 - Sliding Aluminium flange PN10
Test point	1/8" NPT
Working Temperature	- 20 °C – + 60 °C
Use	Not aggressive gases of three families – Natural Gas – LPG – Town Gas
Approval	UNI EN 88-1:2011

Materials:

Complete Body	Die – Cast Aluminium Gd – AISi12Cu - EN AB 46100
Diaphragms	NBR 60Sh – DvGW EN 549
Plastic components	White POM / Pa 66 + 25% Gf

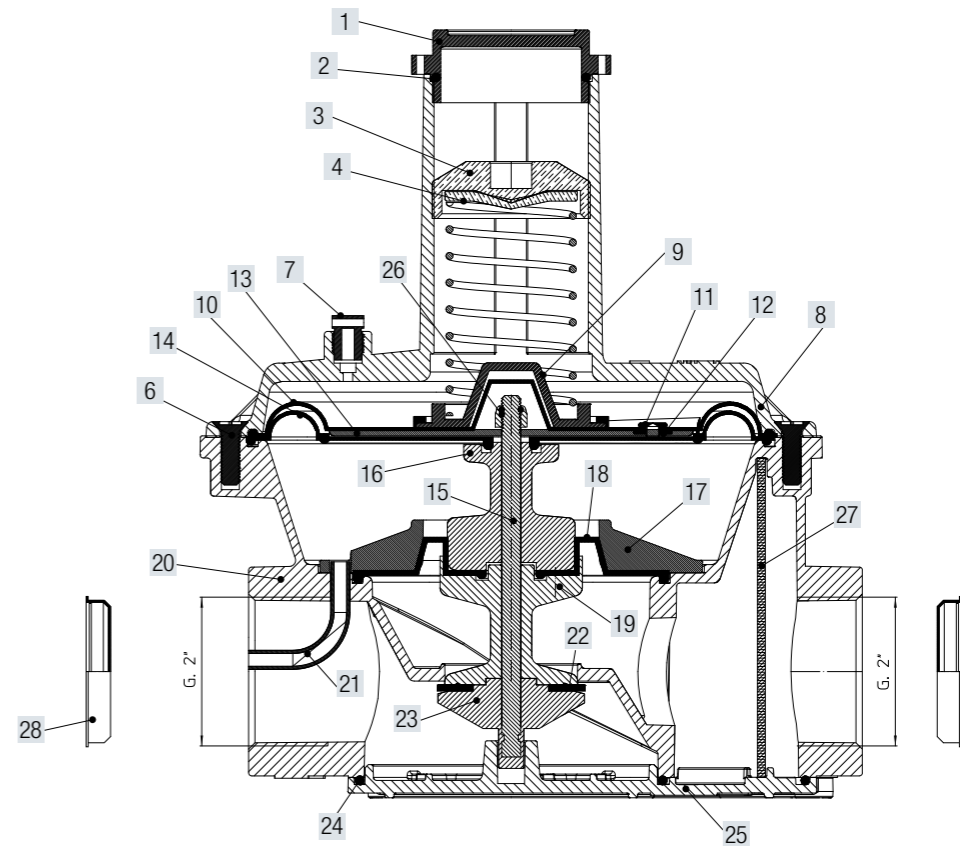
Code:	Color	Range mbar
SPW2-5	White	5 - 14 mbar
SPY2-5	Yellow	6 - 22 mbar
SPN2-5	Neutral	10 - 27 mbar
SPR2-5	Red	28 - 70 mbar
SPBK2-5	Black	60 - 130 mbar
SPB2-5	Blue	120 - 300 mbar

1	Seal cap	15	Shaft
2	O ring	16	Upper bush
3	Spring compressor	17	Disc
4	Washer	18	Working diaphragm
6	Screws	19	Lower bush
7	Vent cap	20	Body
8	Upper cover	21	Sensing tube
9	Plastic Washer	22	Seal washer
10	Safety diaphragm	23	Plastic ring
11	Calibrated nozzle	24	Gasket
12	Washer	25	Cover
13	Disc	26	Nut
14	Compensation diaphragm	27	Filter cartridge
		28	Screw cover



Dimension	1 ¼"	1 ½"
WEIGHT (kgs)	3,140	3,060

GAS GOVERNOR 2" – Pmax 500 mbar



Code	Description	Dimension	Pmax
RG050	Gas Governor	2"	500 mbar
RGD50	Gas Governor	DN50	500 mbar
RG050-FT	Gas Governor with filter	2"	500 mbar
RGD50-FT	Gas Governor with filter	DN50	500 mbar
RG050-TPIO	Gas Governor with test point in/out	2"	500 mbar
RGD50-TPIO	Gas Governor with test point in/out	DN50	500 mbar
RG050-FT-TPIO	Gas Governor with filter and test point in/out	2"	500 mbar
RGD50-FT-TPIO	Gas Governor with filter and test point in/out	DN50	500 mbar

TECHNICAL FEATURES

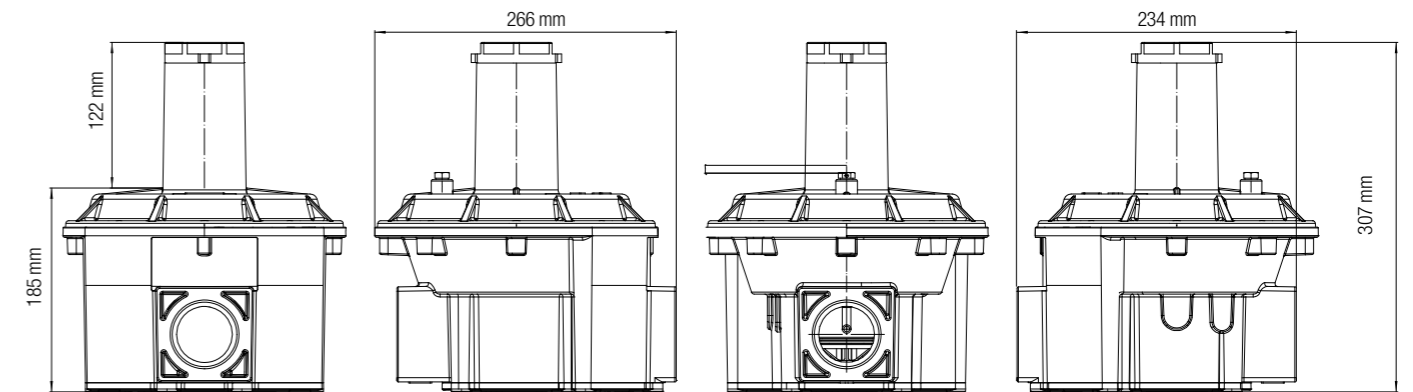
Pmax	inlet max – 500 mbar
Setting outlet	10 – 300 mbar – Standard spring supplied 10 – 27 mbar – Other spring on request – Range as per below table
Filtering	≤ 50µm – Viledon cartridge
Inlet- Outlet Connection	Thread gas 2" - ISO 228 DN50 - Sliding Aluminium flange PN10
Test point	1/8" NPT
Working Temperature	- 20 °C – + 60 °C
Use	Not aggressive gases of three families – Natural Gas – LPG – Town Gas
Approval	UNI EN 88-1:2011

Materials:

Complete Body	Die – Cast Aluminium Gd – AISi12Cu - EN AB 46100
Diaphragms	NBR 60Sh – DvGW EN 549
Plastic components	White POM / Pa 66 + 25% Gf

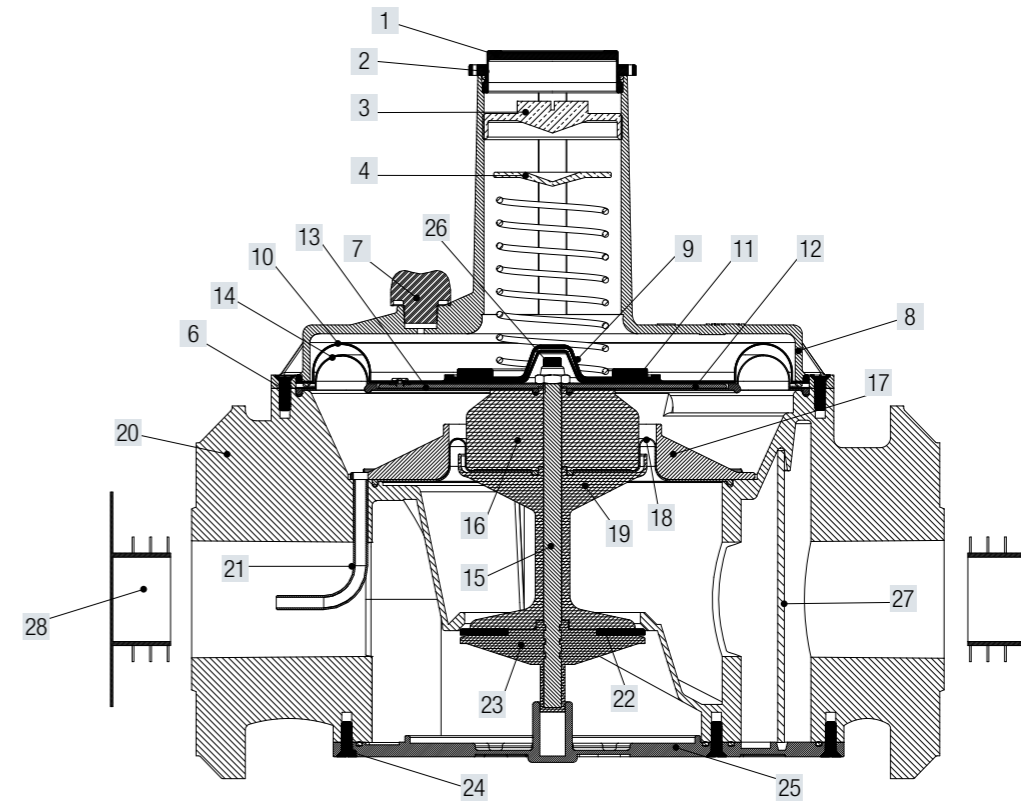
Code:	Color	Range mbar
SPW3-5	White	5 - 14 mbar
SPY3-5	Yellow	6 - 22 mbar
SPN3-5	Neutral	10 - 27 mbar
SPR3-5	Red	28 - 70 mbar
SPBK3-5	Black	60 - 130 mbar
SPB3-5	Blue	120 - 300 mbar

1	Seal cap	15	Shaft
2	O ring	16	Upper bush
3	Spring compressor	17	Disc
4	Washer	18	Working diaphragm
6	Screws	19	Lower bush
7	Vent cap	20	Body
8	Upper cover	21	Sensing tube
9	Plastic Washer	22	Seal washer
10	Safety diaphragm	23	Plastic ring
11	Calibrated nozzle	24	Gasket
12	Washer	25	Cover
13	Disc	26	Nut
14	Compensation diaphragm	27	Filter cartridge
		28	Screw cover



Dimension	2"
WEIGHT (kgs)	5,8

GAS GOVERNOR DN65, DN80, DN100 - Pmax 500 mbar



Code	Description	Dimension	Pmax
RGD65	Gas Governor	DN65	500 mbar
RGD80	Gas Governor	DN80	500 mbar
RGD100	Gas Governor	DN100	500 mbar
RGD65 - FT	Gas Governor with filter	DN65	500 mbar
RGD80 - FT	Gas Governor with filter	DN80	500 mbar
RGD100 - FT	Gas Governor with filter	DN100	500 mbar
RGD65 - TPIO	Gas Governor with test point in/out	DN65	500 mbar
RGD80 - TPIO	Gas Governor with test point in/out	DN80	500 mbar
RGD100 - TPIO	Gas Governor with test point in/out	DN100	500 mbar
RGD65 - FT - TPIO	Gas Governor with filter and test point in/out	DN65	500 mbar
RGD80 - FT - TPIO	Gas Governor with filter and test point in/out	DN80	500 mbar
RGD100 - FT - TPIO	Gas Governor with filter and test point in/out	DN100	500 mbar

TECHNICAL FEATURES

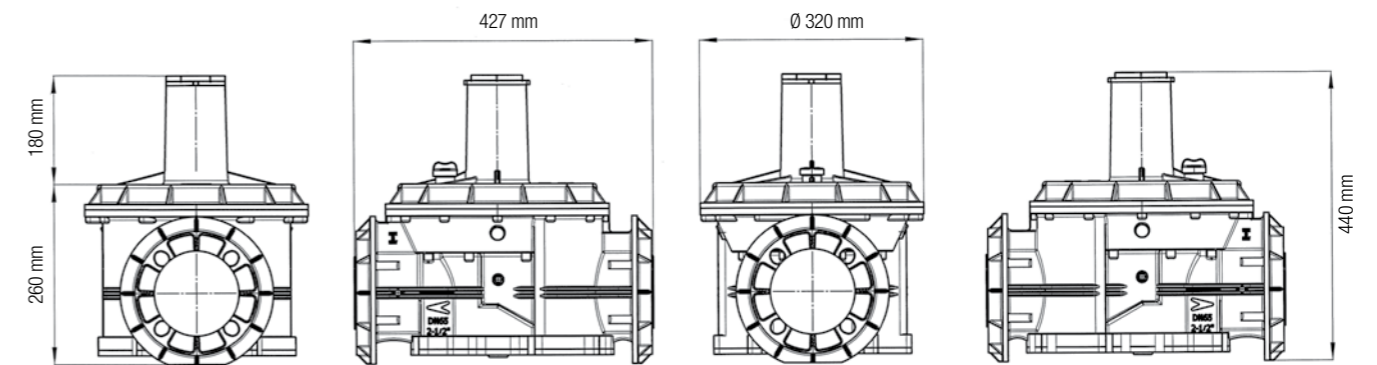
Pmax	inlet max – 500 mbar
Setting outlet	10 – 300 mbar – Standard spring supplied 10 – 27 mbar – Other spring on request
Filtering	≤ 50µm – Viledon cartridge
Inlet - Outlet Connection	Flanged connection DN65 DN80 - DN100 - PN16
Test point	Inlet / outlet on request – Test point 1/8" NPT
Working Temperature	- 20 °C – + 60 °C
Use	Not aggressive gases of three families – Natural Gas – LPG – Town Gas
Approval	UNI EN 88-2:2008

Materials:

Complete Body	Die – Cast Aluminium Gd – AISi12Cu - EN AB 46100
Diaphragms	NBR 60Sh – DvGW EN 549
Plastic components	White POM / Pa 66 + 25% Gf

Spring Range:	Color	Range mbar
	White	5 - 14 mbar
	Yellow	6 - 22 mbar
	Neutral	10 - 27 mbar
	Red	28 - 70 mbar
	Black	60 - 130 mbar
	Blue	120 - 300 mbar

1	Seal cap	15	Shaft
2	O ring	16	Upper bush
3	Spring compressor	17	Disc
4	Washer	18	Working diaphragm
6	Screws	19	Lower bush
7	Vent cap	20	Body
8	Upper cover	21	Sensing tube
9	Plastic Washer	22	Seal washer
10	Safety diaphragm	23	Plastic ring
11	Calibrated nozzle	24	Gasket
12	Washer	25	Cover
13	Disc	26	Nut
14	Compensation diaphragm	27	Filter cartridge
		28	Screw cover



Dimension	DN65	DN80	DN100
WEIGHT (kgs)	16	15,3	14,6