

GAS FILTER DN65 – DN80 – DN100 – Pmax 6 bar



Code	Description	Dimension	Pmax
GFD65	Gas filter	DN65	6 bar
GFD80	Gas filter	DN80	6 bar
GFD100	Gas filter	DN100	6 bar
GFD65-TPIO	Gas filter with test point in/out	DN65	6 bar
GFD80-TPIO	Gas filter with test point in/out	DN80	6 bar
GFD100-TPIO	Gas filter with test point in/out	DN100	6 bar
GFD65-SP	Gas filter with screw plugs	DN65	6 bar
GFD80-SP	Gas filter with screw plugs	DN80	6 bar
GFD100-SP	Gas filter with screw plugs	DN100	6 bar

TECHNICAL FEATURES

Operation maximum pressure	6 bar
Working Temperature	- 20 °C – + 60 °C
Filtration	50 Micron
Use	Non – aggressive gases – Family 1 – 2 – 3 and air
Cartridge element	Viledon cartridge
Connection	Flanged PN16 – DN65 – DN80 – DN100
Complete Body	Die – Cast Aluminium Gd – AISI12Cu - EN AB 46100
Seals	NBR
Approval	PED

Optional:

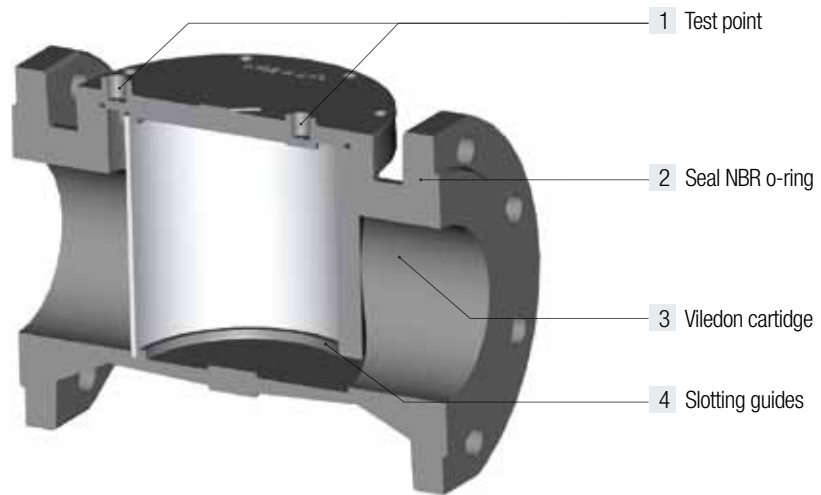
- Test point – NPT ¼"

- Screw – NPT ¼"

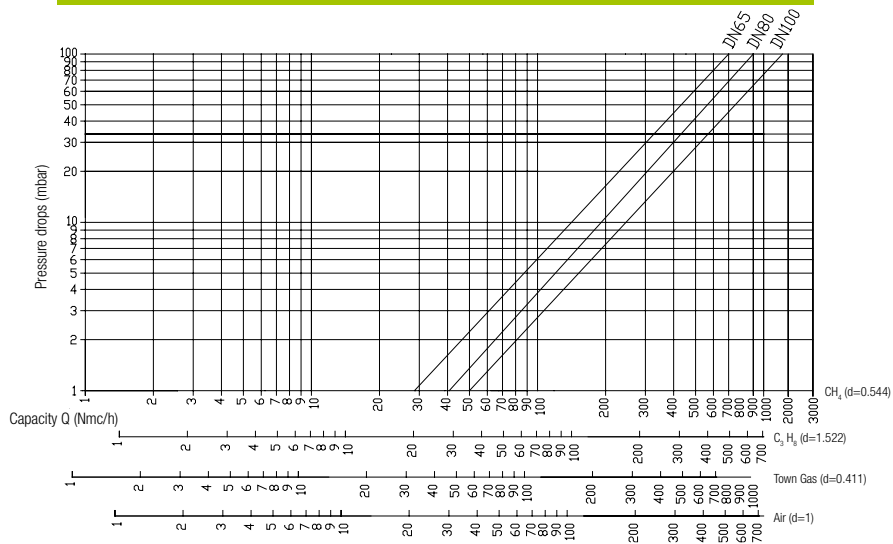
- Peters plug

- Manometer

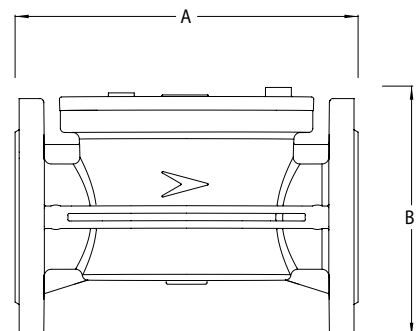
- DP clogging indicator



FLOW CHART



DIMENSIONS (mm) and WEIGHT (kgs)				
Dimension	A	B	C	Weight
DN65	240	180	185	8,30
DN80	265	180	200	8,30
DN100	265	210	220	9,50



GAS FILTER DN125 – DN150 – Pmax 6 bar



Code	Description	Dimension	Pmax
GFD125	Gas filter	DN125	6 bar
GFD150	Gas filter	DN150	6 bar
GFD125-TPIO	Gas filter with test point in/out	DN125	6 bar
GFD150-TPIO	Gas filter with test point in/out	DN150	6 bar
GFD125-SP	Gas filter with screw plugs	DN125	6 bar
GFD150-SP	Gas filter with screw plugs	DN150	6 bar

TECHNICAL FEATURES

Operation maximum pressure	6 bar
Working Temperature	- 20 °C – + 60 °C
Filtration	50 Micron
Use	Non – aggressive gases – Family 1 – 2 – 3 and air
Cartridge element	Viledon cartridge
Connection	Flanged PN16 – DN125 – DN150
Complete Body	Die – Cast Aluminium Gd – AISI12Cu - EN AB 46100
Seals	NBR
Approval	PED

Optional:

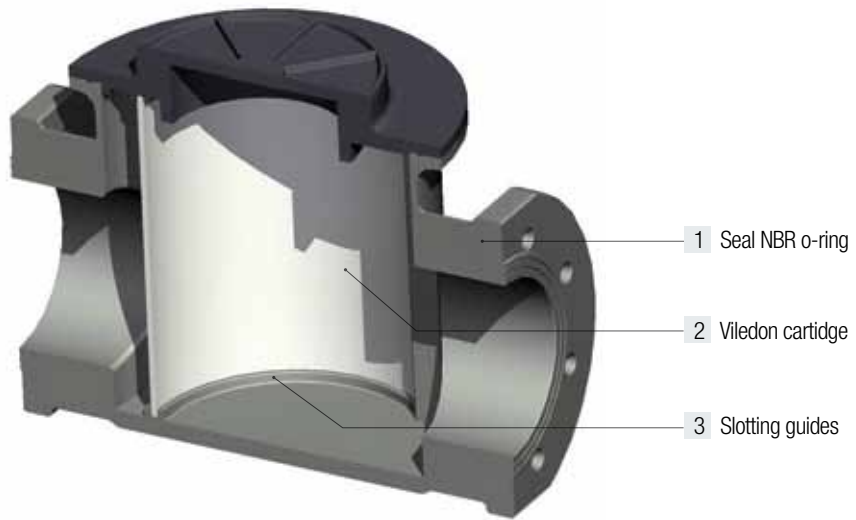
- Test point – NPT ¼"

- Screw – NPT ¼"

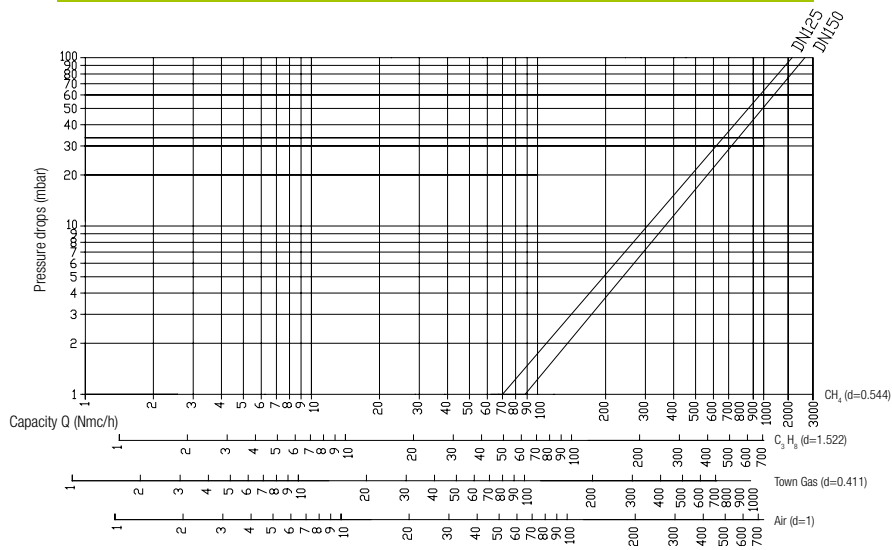
- Peters plug

- Manometer

- DP clogging indicator



FLOW CHART



DIMENSIONS (mm) and WEIGHT (kgs)				
Dimension	A	B	C	Weight
DN125	442.5	347.7	330.0	23
DN150	442.5	347.7	330.0	21

