

GAS FILTER 1/2", 3/4", 1" – Pmax 6 bar



| Code | Description | Dimension | Pmax |
|------------|-----------------------------------|-----------|-------|
| GF015 | Gas filter | 1/2" | 6 bar |
| GF020 | Gas filter | 3/4" | 6 bar |
| GF025 | Gas filter | 1" | 6 bar |
| GFD25 | Gas filter | DN25 | 6 bar |
| GF015-TPIO | Gas filter with test point in/out | 1/2" | 6 bar |
| GF020-TPIO | Gas filter with test point in/out | 3/4" | 6 bar |
| GF025-TPIO | Gas filter with test point in/out | 1" | 6 bar |
| GFD25-TPIO | Gas filter with test point in/out | DN25 | 6 bar |
| GF015-SP | Gas filter with screw plugs | 1/2" | 6 bar |
| GF020-SP | Gas filter with screw plugs | 3/4" | 6 bar |
| GF025-SP | Gas filter with screw plugs | 1" | 6 bar |
| GFD25-SP | Gas filter with screw plugs | DN25 | 6 bar |

TECHNICAL FEATURES

| | |
|-----------------------------------|---|
| Operation maximum pressure | 6 bar |
| Working Temperature | - 20 °C – + 60 °C |
| Filtration | 50 Micron |
| Use | Non – aggressive gases – Family 1 – 2 – 3 and air |
| Cartridge element | Viledon cartridge |
| Inlet - Outlet Connection | Thread gas 1/2" – 3/4" 1" – ISO 228 DN25 - Sliding Aluminium flange PN10 |
| Complete Body | Die – Cast Aluminium Gd – AISi12Cu - EN AB 46100 |
| Seals | NBR |
| Approval | PED |

Optional:

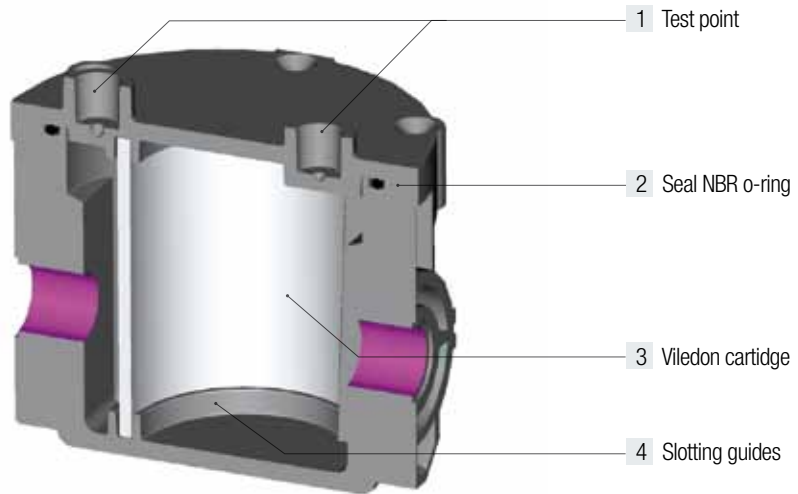
- Test point – NPT 1/4"

- Screw – NPT 1/4"

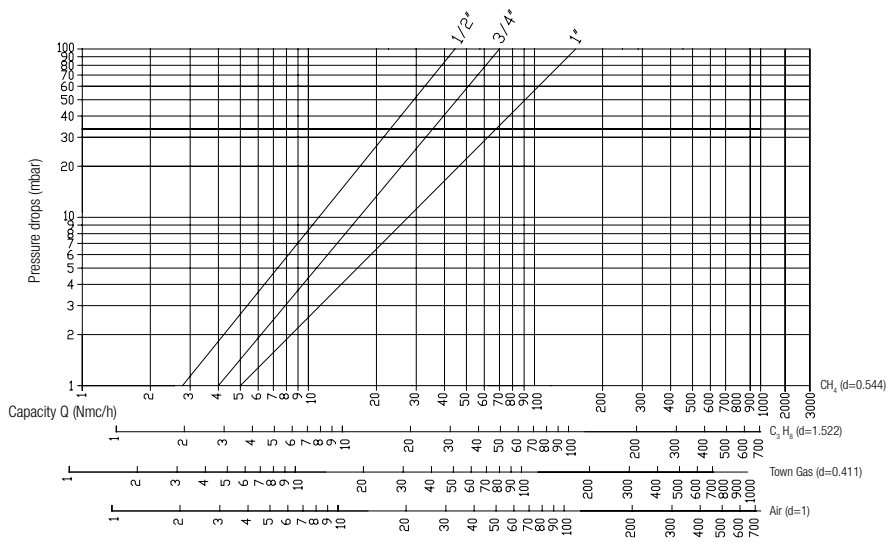
- Peters plug

- Manometer

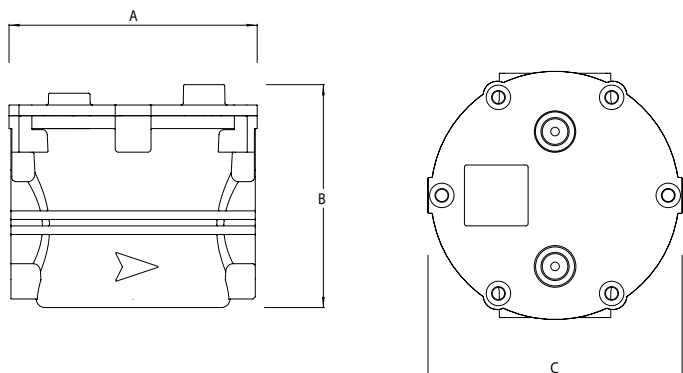
- DP clogging indicator



FLOW CHART



| DIMENSIONS (mm) and WEIGHT (kgs) | | | | |
|----------------------------------|-----|-------|-------|--------|
| Dimension | A | B | C | Weight |
| 1/2" | 114 | 105.5 | 118.5 | 0,806 |
| 3/4" | 114 | 105.5 | 118.5 | 0,795 |
| 1" | 114 | 105.5 | 118.5 | 0,786 |



GAS FILTER 1 ¼”, 1 ½” and 2” – Pmax 6 bar



| Code | Description | Dimension | Pmax |
|-------|-------------|-----------|-------|
| GF032 | Gas filter | 1 ¼” | 6 bar |
| GF040 | Gas filter | 1 ½” | 6 bar |
| GF050 | Gas filter | 2” | 6 bar |
| GFD32 | Gas filter | DN32 | 6 bar |
| GFD40 | Gas filter | DN40 | 6 bar |
| GFD50 | Gas filter | DN50 | 6 bar |

| | | | |
|------------|-----------------------------------|------|-------|
| GF032-TPIO | Gas filter with test point in/out | 1 ¼” | 6 bar |
| GF040-TPIO | Gas filter with test point in/out | 1 ½” | 6 bar |
| GF050-TPIO | Gas filter with test point in/out | 2” | 6 bar |
| GFD32-TPIO | Gas filter with test point in/out | DN32 | 6 bar |
| GFD40-TPIO | Gas filter with test point in/out | DN40 | 6 bar |
| GFD50-TPIO | Gas filter with test point in/out | DN50 | 6 bar |

| | | | |
|----------|-----------------------------|------|-------|
| GF032-SP | Gas filter with screw plugs | 1 ¼” | 6 bar |
| GF040-SP | Gas filter with screw plugs | 1 ½” | 6 bar |
| GF050-SP | Gas filter with screw plugs | 2” | 6 bar |
| GFD32-SP | Gas filter with screw plugs | DN32 | 6 bar |
| GFD40-SP | Gas filter with screw plugs | DN40 | 6 bar |
| GFD50-SP | Gas filter with screw plugs | DN50 | 6 bar |

TECHNICAL FEATURES

| | |
|-----------------------------------|---|
| Operation maximum pressure | 6 bar |
| Working Temperature | - 20 °C – + 60 °C |
| Filtration | 50 Micron |
| Use | Non – aggressive gases – Family 1 – 2 – 3 and air |
| Cartridge element | Viledon cartridge |
| Inlet - Outlet Connection | Thread gas 1 ¼” 1 ½” 2” – ISO 228 DN32 DN40 DN50 - Sliding Aluminium flange PN10 |
| Complete Body | Die – Cast Aluminium Gd – AlSi12Cu - EN AB 46100 |
| Seals | NBR |
| Approval | PED |

Optional:

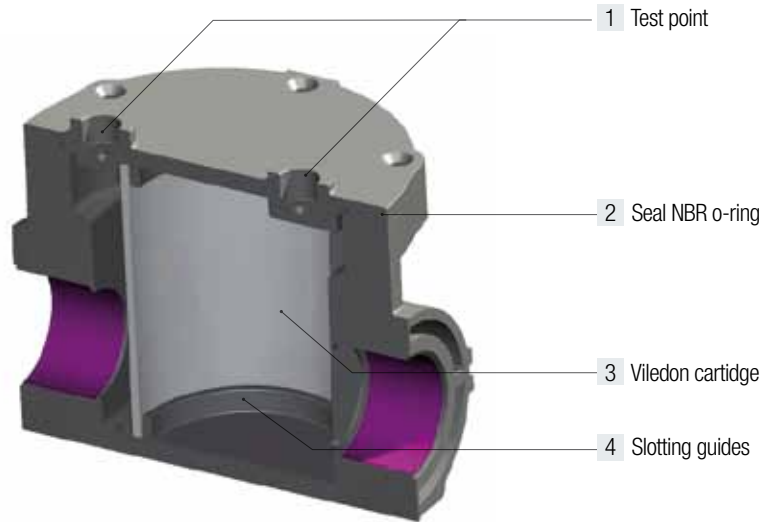
- Test point – NPT ¼”

- Screw – NPT ¼”

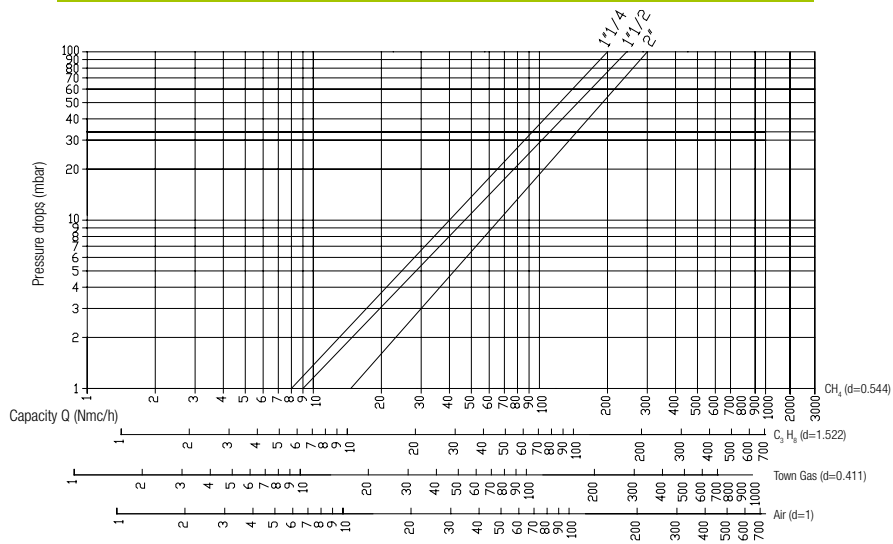
- Peters plug

- Manometer

- DP clogging indicator



FLOW CHART



| DIMENSIONS (mm) and WEIGHT (kgs) | | | | |
|----------------------------------|-----|-------|-------|--------|
| Dimension | A | B | C | Weight |
| 1 1/4" | 164 | 131.7 | 152.5 | 1,63 |
| 1 1/2" | 164 | 131.7 | 152.5 | 1,55 |
| 2" | 164 | 131.7 | 152.5 | 1,45 |

