

Insulating joint



description

Insulating joint MOP5/GT1, according to DIN 3389, RHT-proof, DIN DVGW-approved.
Mounted in the wall passage as an electrical disconnection point.

technical features

material	hot-pressed brass / steel
denomination	DN25-DN50
nominal pressure	PN5
medium	gases according to G260

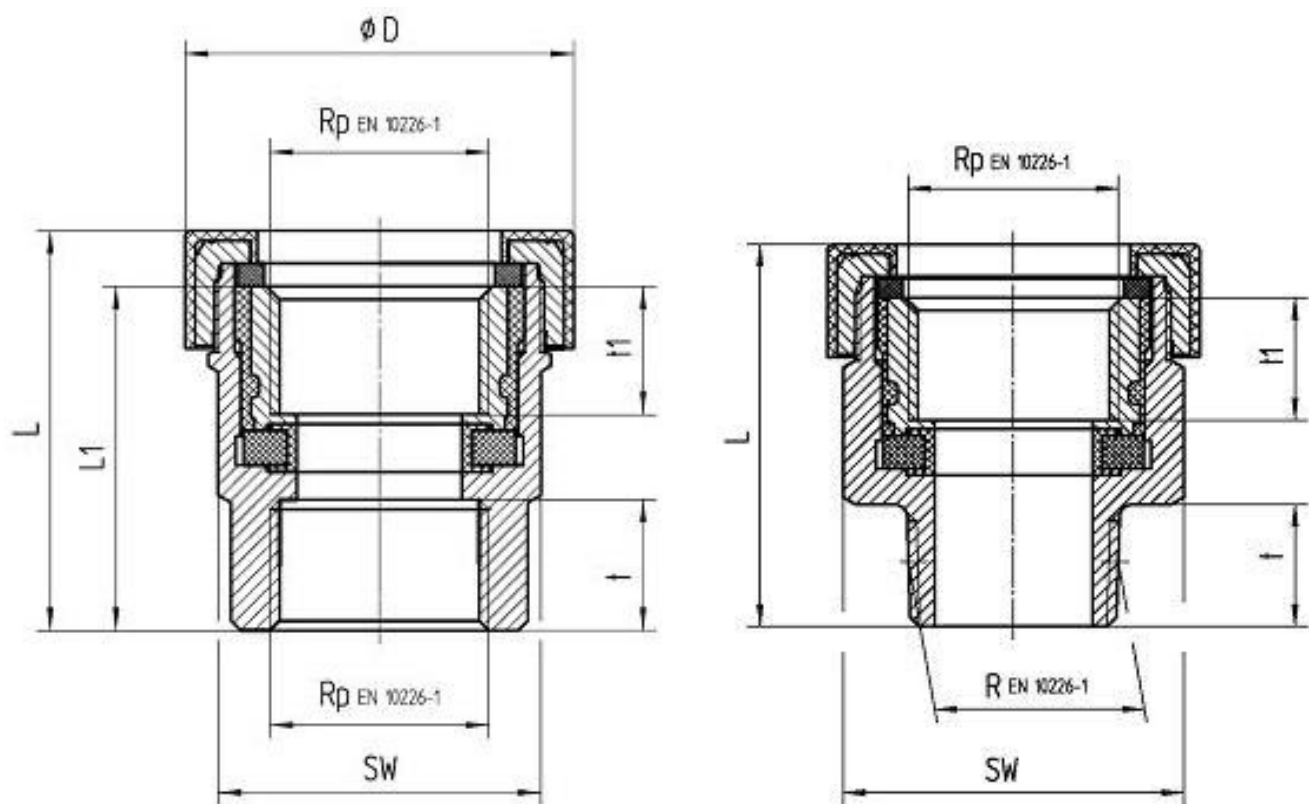
product - highlights

- ARGB certified
- BECETEL certified
- RHT-proof GT1
- with internal and external thread

item numbers

model no.	item no.	nominal size	remarks
5181	0010592	DN 25	internal thread Rp1
5181	0010789	DN 32	internal thread Rp1 ¼
5181	0010790	DN 40	internal thread Rp1 ½
5181	0010791	DN 50	internal thread Rp2

Insulating joint



dimensions

model no.	nominal size	L [mm]	L1 [mm]	R/Rp EN 10226	SW 8-kt.	D [mm]	t [mm]	t1 [mm]
5181	DN 25	61	52,5	1	49	59	20	19,1
5181	DN 32	68	60	1 ¼	60	70	23	22
5181	DN 40	68	80	1 ½	66	79	23	22
5181	DN 50	81	72	2	82	95	28	26