

STELLAR UGR<19 28W INDIRECT PANEL, 4000K, 600X600, WHITE

Complementing the great Robus range of LED light panels we have the Stellar. This light panel replicates traditional 4 x 18W, T8 winged lay-in modules in aesthetics, but with superior indirect lighting performance. It's ideal for applications where CIBSE UGR requirements are being implemented whilst providing a modern, attractive aesthetic



Applications:

- List of application locations
- Offices
- Health Centres
- Shops
- Hotels
- Schools
- Hospitals
- Restaurants
- Reception areas
- Universities
- Inspection areas

Construction:

Cold rolled steel housing
 Powder coated finish in RAL9003
 PMMA TP_b diffuser materials
 Composite FR4 laminate PCB

Features:

- Manufactured from high quality materials
- Winged design with PMMA TP_b diffuser material
- The fitting utilises high quality LM80 tested low power, high lumen LED's by Shenzhen Mason Technologies
- Flat profile 595 x 595 x 9mm frame
- DALI, Analogue 1-10v and SwitchDim driver option
- Pre-wired Swift male/female connector
- High specification plug & play emergency pack option
- Impact rating of IK06 and wide ambient operating temperature range

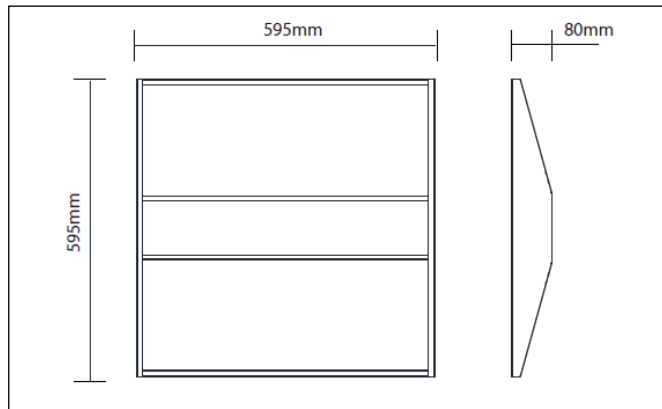
Benefits:

- Strong and durable and will last the test of time
- A modern pleasing aesthetic to enhance the looks of the install
- Complies with the fire requirements of the Building Regulations
- Provides indirect light to allow the installation to comply with EU regulation EN12464 for discomfort eye glare and computer screen luminance for desk-based applications
- This ensures the fitting has light output equal to or greater than T8 or T5 light sources for a one for one replacement and has:
 - A long-rated LED life so no lamp change costs
 - High lumen maintenance over life
 - High efficacy
 - Consistent CCT with little colour shift
- Suitable for installation in 15mm or 24mm T-bar grid systems
- Functional dimming may be employed in meeting rooms, or, with the use of dimming sensors, daylight harvesting used to make even greater energy cost savings
- Provides fast and simple mains connection
- Can be first fixed with driver and panel quickly connected later with no damage to them during fit-out
- Has 4 large screw terminals and spacious connection area for easy conductor routing and loop in/out
- Swift plug & play emergency module for fast install or retro-fit
- Provides in excess of 500lx for excellent emergency illumination compared to around 200 lux from some pod, panel top mount solutions
- Will survive minor accidental knocks and bangs associated with installation in most environments
- Can also be used in areas with extremes of ambient temperature

STELLAR UGR<19 28W INDIRECT PANEL, 4000K, 600X600, WHITE

Product Code:	RSL28406060-01
Comparable to:	4x18W T8
Total Power (W):	28.4
Total Light Output (lm):	3,200
Efficacy (lm / cctW):	113
Rated Life (hrs):	50,000
Warranty (yrs):	5
Luminance @ >65° (Cd/m²):	1851
Illuminance at 1m (Lux):	1,800
Beam Angle (deg):	80
CCT (K):	4,000
CRI (Ra):	80
Ingress Protection (IP):	20
Impact Rating (IK):	06
Operating Temperature (°C):	-20 ≤ Ta ≤ +40
Power Factor (PF):	0.95
Length (mm):	595
Width (mm):	595
Depth (mm):	80
Box Qty:	1
Weight (kg):	4.1

Room dimension		Viewed crosswise					Viewed endwise				
x	y										
2H	2H	12.8	14.3	13.2	14.6	14.9	13.7	15.1	14.0	15.4	15.7
	3H	14.3	15.6	14.7	16.0	16.3	15.1	16.4	15.5	16.7	17.1
	4H	14.9	16.1	15.3	16.5	16.9	15.7	16.9	16.1	17.2	17.6
	6H	15.3	16.4	15.7	16.8	17.2	16.1	17.2	16.5	17.6	18.0
	8H	15.4	16.4	15.8	16.8	17.2	16.2	17.3	16.7	17.7	18.1
	12H	15.4	16.4	15.8	16.8	17.2	16.3	17.3	16.7	17.7	18.1
4H	2H	13.4	14.6	13.8	14.9	15.3	14.1	15.3	14.5	15.7	16.0
	3H	15.1	16.1	15.5	16.5	16.9	15.7	16.8	16.1	17.1	17.6
	4H	15.8	16.7	16.3	17.1	17.6	16.5	17.4	16.9	17.8	18.2
	6H	16.3	17.1	16.7	17.5	18.0	17.0	17.8	17.5	18.3	18.7
	8H	16.4	17.1	16.9	17.6	18.1	17.2	18.0	17.7	18.4	18.9
	12H	16.4	17.1	16.9	17.6	18.1	17.4	18.0	17.8	18.5	19.0
8H	4H	16.1	16.8	16.5	17.3	17.7	16.7	17.4	17.2	17.9	18.3
	6H	16.6	17.2	17.1	17.7	18.2	17.3	18.0	17.8	18.4	18.9
	8H	16.8	17.4	17.4	17.9	18.4	17.7	18.2	18.2	18.7	19.2
	12H	16.9	17.4	17.4	17.9	18.4	17.9	18.3	18.4	18.8	19.3
12H	4H	16.1	16.8	16.6	17.2	17.7	16.7	17.4	17.2	17.8	18.3
	8H	16.7	17.3	17.2	17.8	18.3	17.4	18.0	18.0	18.5	19.0
	8H	16.9	17.4	17.4	17.9	18.4	17.7	18.2	18.3	18.7	19.2



Accessories:

- HED2040-D** DALI 1-10V, SWITCH DIM, 40W DRIVER
- R3EMPK-PSU** 3 HOUR EMERGENCY PACK

Standards & Approvals:

Complies with: EN 60598-2-1, EN 60598-2-2, EN 55015, EN 61000-3-2, EN 61000-3-3, EN 61547, EN 62471, EN 62493, EN 62384

5 YRS

PART

L2

CONVERSION

SUITABLE

PHOTO

METRICS

Cone Illuminance Diagram:

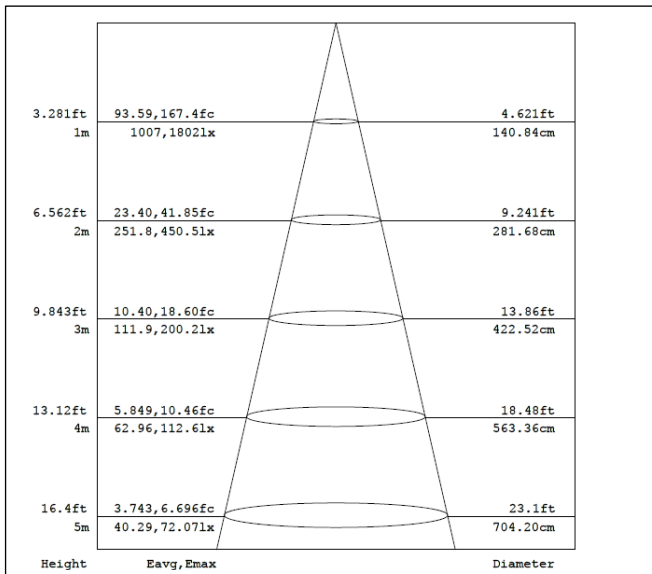


Diagram for RSL28406060-01 in 4,000K. Other diagrams available on request

Polar Intensity Diagram:

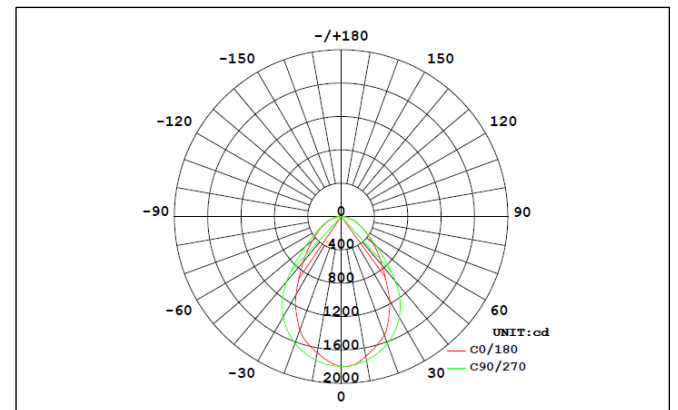


Diagram for RSL28406060-01 in 4,000K. Other diagrams available on request