

ROBUS[®]

QUALITY PRODUCTS BY LED GROUP

ROBUS stand alone PIR

presence detector

RR360-01

Please read instructions before commencing installation and retain for future reference.



Specification:

Passive infra-red sensor switch for lighting energy saving applications, ceiling mounted indoor use only.

Electrical Protection:	Class II
Supply:	220-240V 50/60Hz
Output load:	Max. 1000W incandescent lamp, 500W fluorescent 250W LED
Operating Temp:	5°C < ta < 25°C
Dimensions	Diameter Ø75mm Depth: 60mm Cut-out Ø62mm
Weight:	0.14Kg
Detection range:	360° detection angle, 10m Range, 2.8m Mounting Height
Time Delay:	Adjustable time delay 10 seconds ~16 minutes
Light Level Adjustment:	Daylight to night adjustable
IP:	IP20

Terminals suitable for cable sizes from 0.75mm² to 1.5mm².
Suitable for mounting on normally flammable surface

Note:

Product technical information and specification may change over time without prior notification. For the latest technical information please visit our web site www.ledgrouprobust.com or www.robustdirect.com

Installation:

! Electrical products can cause death or injury, or damage to property. If in any doubt about the installation or use of this product, consult a competent electrician.

- 1 Ensure mains supply is switched off before commencing work.
- 2 Location:
 - a. max 2.8m above ground level
 - b. Avoid: positions close to exhaust gas flues, heat extraction vents, or heat sources to avoid false triggering. Also avoid pointing toward bright lights which may prevent operation (or cause hunting i.e. flashing lights on and off) when Lux level set for night operation. Do not mount on surfaces subject to vibration.
- 3 Check location of buried wires before drilling fixing holes.
- 4 Remove cover moulding by undoing the front locking screw and turning anticlockwise to access the terminal block.
- 5 Fix back moulding to ceiling and connect supply cables Live, Neutral to Lin and N respectively. Connect switched live to load to terminal marked 'Lout'. Set Lux control to day position (☀) and Time to minimum (⌚) and fit cover for initial test.
- 6 Switch on mains supply: The RR360 will warm-up for approx 30 seconds and then switch to auto detection mode.

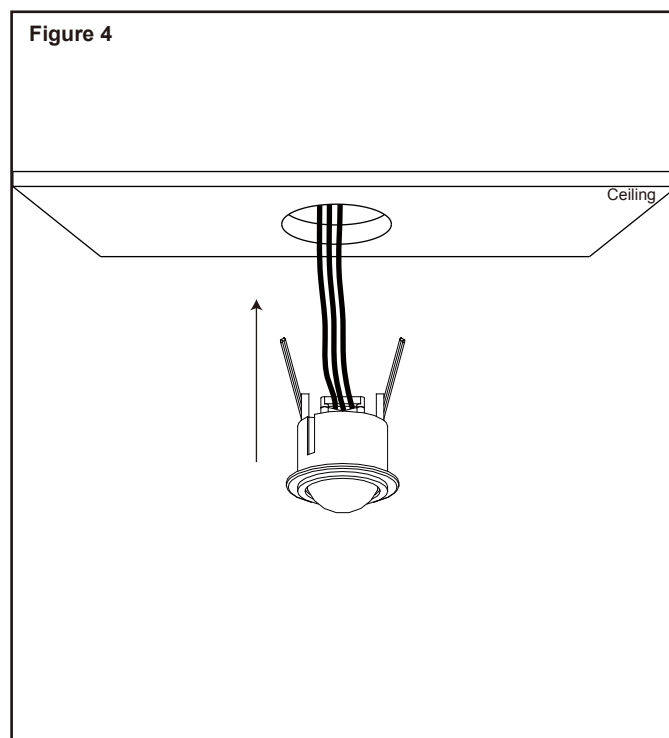
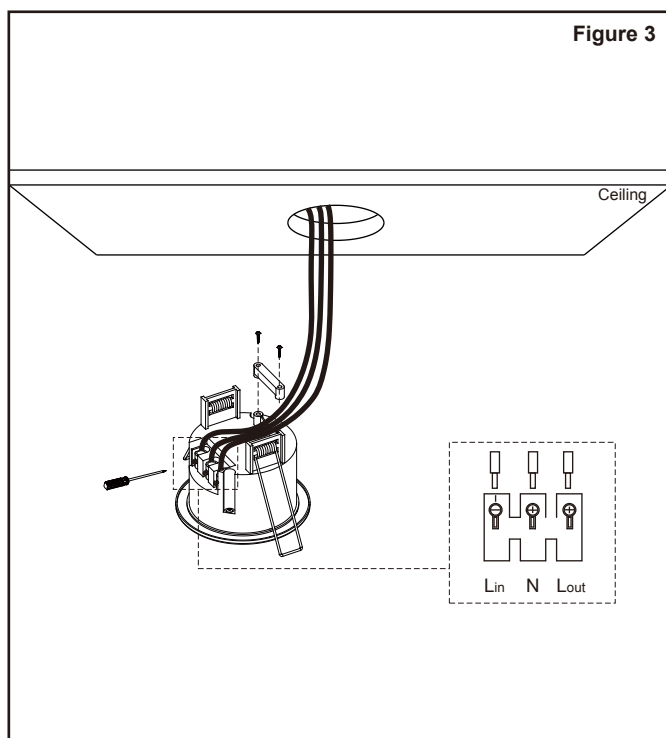
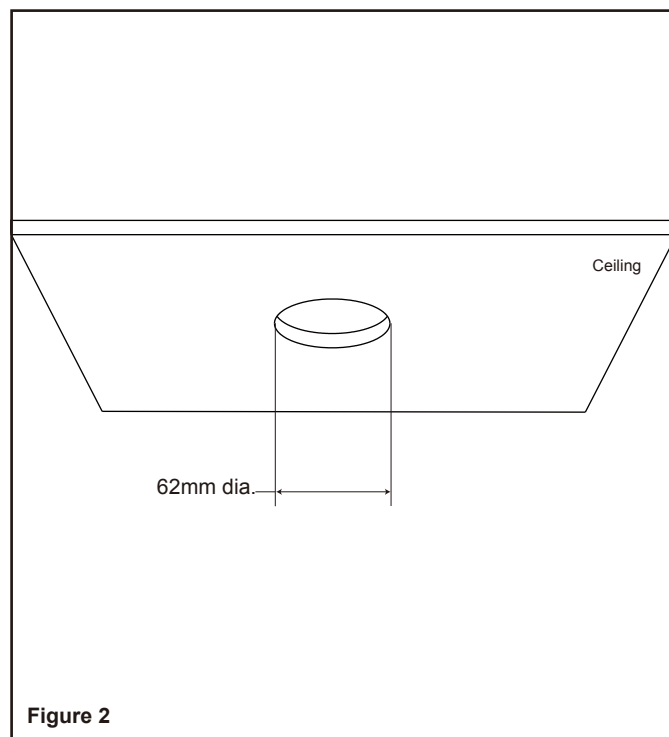
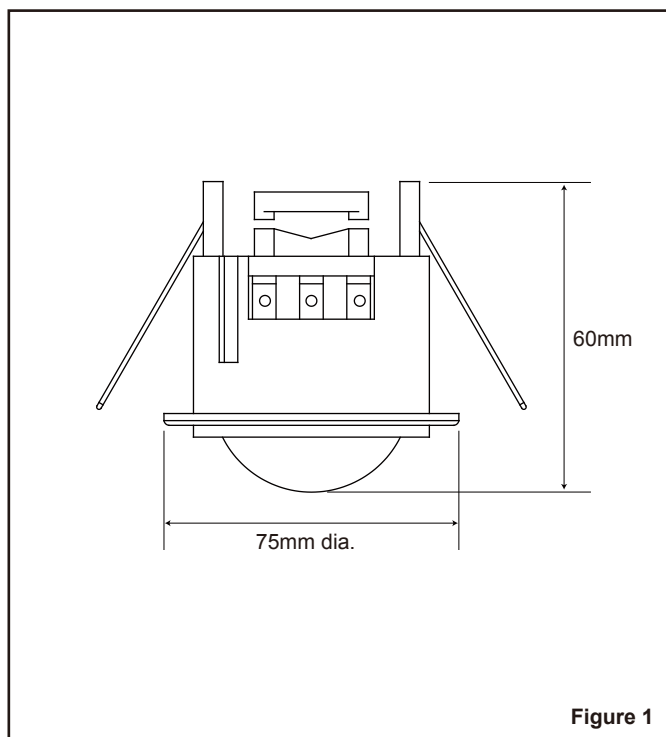
Walk testing can then be carried out to determine detection area with slow walking pace. When the detector senses movement, the load will be switched on for the preset time. When finished, set light level and delay time. Turning the Lux control toward the moon position will stop switching action during bright daylight (for energy saving). Turning Time control toward + increases on-time up to 15 minutes. Note: once sensor has been triggered, subsequent detection restarts timing period from beginning, so light stays on until set time elapses after last triggering detection.

The Installation must be carried out by an electrician

LED Group
Western Retail Park
Nangor Road
Dublin 12
Ireland

Tel: +353 1 7099000
Fax: +353 1 7099060
Email: info@led.ie
Website: www.led.ie





Information for the Product user

1. Please note the requirement to dispose of Waste Electrical & Electronic Equipment separately from household waste (WEEE marked with crossed out wheelie bin symbol).
2. Please consider your role in contributing to re-use and recycling by returning this product at end of life to a collection centre for waste electrical equipment or a Civic Amenity site, or to a retail outlet from which you are purchasing a replacement.
3. This equipment may contain substances that are hazardous to health and the environment if disposed of carelessly. It is important that it is separated from normal household waste and recycled in the WEEE chain.
4. The "crossed out wheelie bin symbol" on a product indicates this equipment must not be disposed of in normal household waste, but should be disposed of according to local WEEE regulations.

The Installation must be carried out by an electrician

LED Group
Western Retail Park
Nangor Road
Dublin 12
Ireland

Tel: +353 1 7099000
Fax: +353 1 7099060
Email: info@led.ie
Website: www.led.ie

