

iviflo®

1. Edition 2011 isiflo.com



PRODUCT CATALOGUE

ISIFLO Sprint program and
technical information

iviflo®
SPRINT



Read more at isiflo.com

iviflo®

WHERE QUALITY COUNTS - CHOOSE YOUR PARTNER WISELY

AI
an
Aalberts Industries
company



- Strong
- Safe
- Fast
- Easy



AWARD FOR DESIGN EXCELLENCE
NORWEGIAN DESIGN COUNCIL

ISIFLO Sprint

ISIFLO is famous for its long term quality products. When we come up with something new it is always the result of a long history of development.

To develop a quality push-in coupling was a challenge.

To make it stronger than any other plastic/PP coupling was an even bigger challenge.

It took us several years,

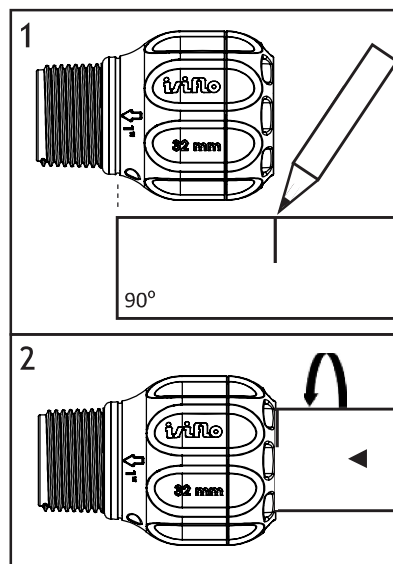
- but we did it!

Installation procedure:

1. Cut the pipe as squarely as possible, checking that it is clean and free from damage.

2. Mark the installation depth on the pipe. The correct depth is indicated on each fitting.

3. Insert the pipe into the fitting with a slight twist. The twisting action reduces the installation force required to make the joint. No tools required.



PS: The pipe is fully inserted when the installation mark lines up to the edge of the fitting.

ISIFLO SPRINT PROGRAM AND TECHNICAL INFORMATION

ISIFLO Sprint

Isiflo Sprint is our new patented range of composite push-in fittings combining the safety and strength of a traditional mechanical fitting with the user-friendliness of a standard push-in fitting.

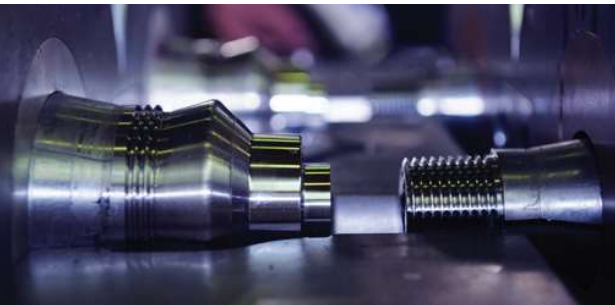
The installation of Isiflo Sprint happens in one simple move, requires no tools and no complicated preparation of the pipe. Just cut the pipe squarely and insert, with a slight twist, into the fitting. The result is a strong, firm and long-lasting connection between the pipe and the coupling.

Quality

Raufoss Water & Gas AS holds ISO 14001 and ISO 9001 : 2000.

Production

The Isiflo range of products are Norwegian quality products, produced in accordance with the strictest requirement of HES and QA-systems.



R&D

The ISIFLO Sprint range of fittings is the result of comprehensive work undertaken by our own R&D department. The goal was to develop a user-friendly push-in fitting with focus on strength, performance and quality.

Our R&D department works in close co-operation with the Norwegian Center of Expertise, SINTEF, and are also involved in the establishment of The National Centre of Composite. ISIFLO Sprint is designed in cooperation with K8 Industri-design as.

Tests and approvals

UK:	WRAS/WRC
Germany :	DVGW - DIN 8076
Holland :	KIWA
France :	ACS
Sweden :	SITAC
Denmark :	ETA
Norway :	NBI

The certificates will be made available at our web site: www.isiflo.com

Materials

Body:	Composite, Glass reinforced Polyamid
Clamping ring:	POM
Pushback ring:	POM
O-Ring:	EPDM

ISIFLO Sprint is produced in a glass-fibre reinforced engineering thermoplastic material.

The composite material combines the strength of metal, with the corrosion-resistant characteristics of a thermoplastic material, and gives outstanding mechanical strength in the area of threads. The material is environmentally friendly, and 100% corrosion-resistant.

Area of applications

- Cold water
- temperature range: up to 40 C

Isiflo Sprint fittings gives a tight and firm end-load resistant connection. To be used on the following pipes:

- PE, PEL, PEH, (PE 50, PE80, PE100)
- PEX when using support insert

Working pressure

- Water: - up to 16 bar
- Burst pressure: - pipe burst before coupling

Function description

There is no need to chamfer the pipe-end before installation. The design of the new fitting ensures that the pipe enters the fitting easily, avoiding the need for a high push-in force. As the pipe enters the fitting, the pushback ring moves in the opposite direction, compressing the O-ring as the clamp ring grips the pipe. This ensures a leak tight connection - even under low pressure conditions. The same happens when you tighten the nut in an ordinary mechanical fitting. The main difference is that everything happens in one move, without the need for tools.

By reuse of Isiflo Sprint the clamp ring and o-ring must be replaced.