

Technical datasheet for:

**SRV-G 2x12 tc** 



### General data

Item	speedpipe-bundle-ground SRV-G 2x12 tc	
Description	speedpipe-bundle tc (tight covered) for direct bury, filled with 2 pieces of speedpipe-ground 12x2.0	
Production length on spool (1200x370mm)	650m	
Weight	approx. 0.15 kg/m	
Total weight	approx. 126 kg (including spool)	
Recommend bending radius	> 2.5m	every small bending radius reduce the blow in length of the cable
Min. bending radius	1.0m	
Max. recommended tensile strength	1700 N (at 20°C)	Ensure uniform force distribution!
Tensile strength at break	1900 N (at 20°C)	
Transport and storage temperatures	-40 to +70	°C
Laying or assembly temperature	-10 to +50	°C
Operating temperature	-40 to +70	°C
	Temperature at which the full functionality of the installed or laid components is given	
UV resistance (DIN EN ISO 4892-1)	3 years (south-european climate)	
For installation follow the installation instruction and the laying instruction!		

### Technical data

Quality	Value	Unit
<b>Material</b>		
Material	PolyEthylen PE-HD, regenerate- and recycle-free	
MFI (according to DIN 8075)	max. 30	%
Homogeneity	free from inclusions < 0.02	mm <sup>2</sup>
Internal pressure creep rupture test (DIN 16874)	Sigma 4.0 for 170h at 80°C	N/mm <sup>2</sup>
Fire behavior (DIN EN 13501-1)	E	
<b>Jacket pipe</b>		
Dimension	s = 0.5 <sup>+0,2</sup>	mm
Colour	orange	

No responsibility is taken for the currency and completeness of details and information. This document can be revised and supplemented without prior notice. Liability for damages is excluded.

Technical datasheet for:

**SRV-G 2x12 tc** 

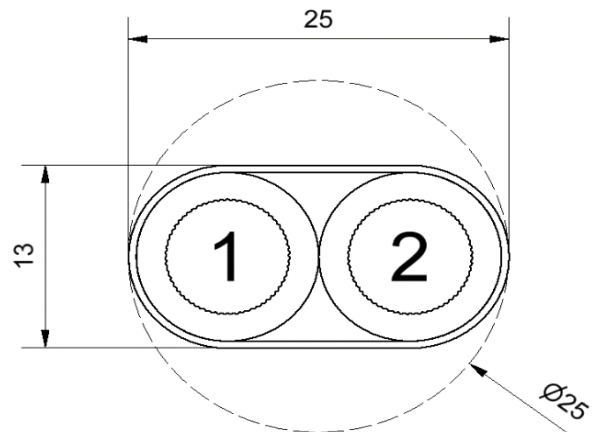


### Technical data

Quality	Value	Unit
<b>speedpipe-ground 12x2.0</b>		
Dimension	$D = 12.0^{+0,1}; s = 2.0^{+0,15}$	mm
Colour of stripes	black and brown opposite transparent windows	
Pressure nominal	based on wall thickness bigger PN 16	
Inner surface	55 optimized sliding ribs	
Burst pressure	min. 56	bar at 20°C
Max. recommended tensile strength	700	N at 20°C
Tensile strength at break	1000	N at 20°C
Apex pressure (according to DIN EN 61386-24)	2500	N at 20°C

### Colour code

1) black	
2) brown	



**gabocom is certified by the quality system following DIN EN ISO 9001, the environmental management system DIN EN ISO 14001 and the energy management system DIN EN 50001.**

**The used materials meet the REACH default (EU regulation 1907/2006) and the RoHS default (EU guidelines 2011/65).**

gabo Systemtechnik GmbH  
Am Schaidweg 7  
94559 Niederwinkling  
GERMANY

Tel. +49 9962 950-200  
Fax +49 9962 950-202  
info@gabocom.com  
www.gabocom.com

Editor: CKS  
Release: MK  
Date: 08.10.2020  
Edition: 4

No responsibility is taken for the currency and completeness of details and information. This document can be revised and supplemented without prior notice. Liability for damages is excluded.