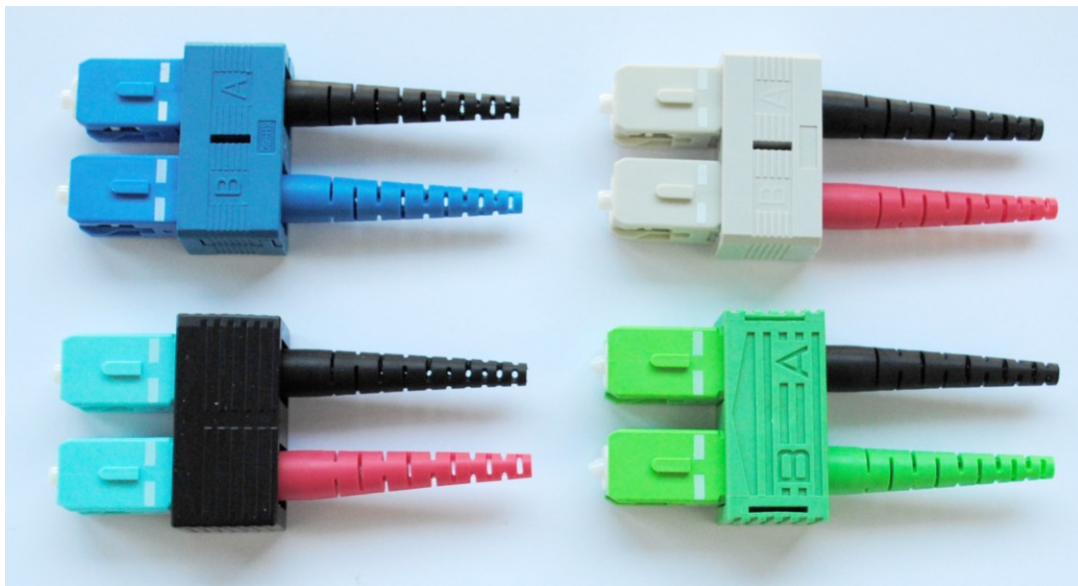


# SC Duplex Connector Kit Crimp Type



## T E C H N I C A L   S P E C I F I C A T I O N



# G E N E R A L

This specification covers the SC Duplex Connector Kit Crimp Type for singlemode and multimode applications according IEC 61754-4, IEC 60874-14 and TIA-604-3-B.

## M O D E L S   A V A I L A B L E

The SC Duplex Connector Crimp Type is available with the following crimps, boots sizes and colours:

| Cable Diameter                 | 1.6 mm    | 2.0 mm  | 2.5 mm    | 3.0 mm  |
|--------------------------------|-----------|---|-----------|---|
| <b>Boot:<br/>Standard Type</b> | 2mm Boot  | White   | 3mm Boot  | Blue, Red, Black, Yellow, White and Light Green |
| <b>Boot:<br/>Slotted Type</b>  | 2mm Boot  | Blue, Red, Black, Yellow, Beige and Light Green | 3mm Boot  | Beige   |
| <b>Crimp</b>                   | Available | Available                                       | Available | Available                                       |

### Special Boots

| Cable Diameter  | 1.6 mm   | 2.0 mm   | 2.5 mm   | 3.0 mm |
|-----------------|----------|----------|----------|--------|
| <b>90° Boot</b> | 3mm Boot | 3mm Boot | 3mm Boot | Black  |

Optoplast SC Duplex connectors are supplied, as standard in the following formats:

|   | Housing                                     | Clip for Duplex Connectors | Boots for Duplex Connectors                                      |
|---|---|----------------------------|--|
| <b>Singlemode PC</b>                      | Blue Ral 5015                               | Blue                       | Black + Yellow (on yellow cable)<br>Black + Blue (on Blue cable) |
| <b>Singlemode APC 8°</b>                  | Light Green Ral 6018<br>Dark Green Ral 6029 | Light Green                | Black + Light green  |
| <b>Singlemode APC 9°</b>                  | Light Green Ral 6018                        | Light Green                | Black + Red  |
| <b>Multimode</b>                          | Beige Ral 1013                              | Beige                      | Black + Red  |
| <b>Multimode OM3 - OM4<br/>On Request</b> | Aqua Ral 6027                               | Black                      | Black + Red  |

All the above connectors are available multipiece or preassembled 1-piece.

Other colours are available on request.

Availability of Dust Cap with Latch.

Available ferrules: refer to Spec. N° FR-2.5-01-001.

For overall dimensions, special boots and dust caps details, please refer to Spec. N° KT-20-01.005.

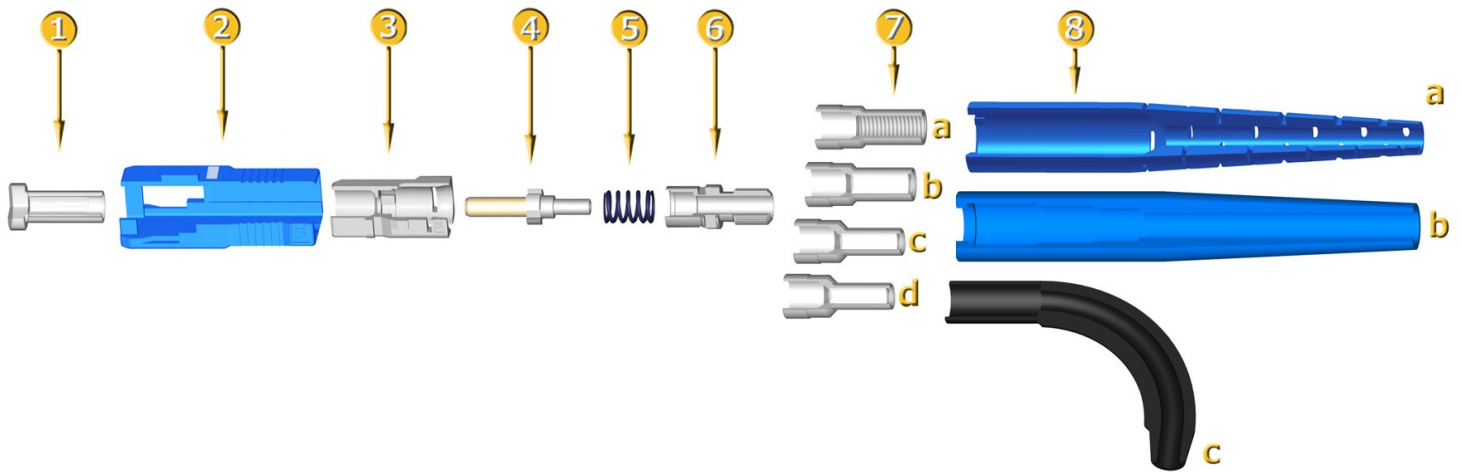
## M E C H A N I C A L   C H A R A C T E R I S T I C S

|                                |   |               |
|--------------------------------|---|---------------|
| Mating Durability              | >500 connections  | IEC61300-2-2  |
| Cable Retention                | 100 N, 120s   | IEC61300-2-4  |
| 900 µm Buffer Retention        | 5 N, 60s  | IEC61300-2-4  |
| Vibration                      | 10 – 55 Hz , 1 octave / min.<br>3 axis of 15 cycles , 0.5h/axis<br>amplitude 0.75mm | IEC61300-2-1  |
| Repeated Bending Cable         | 100 cycles -90°/0°/+90°/0° Load = 5N  | IEC61300-2-44 |
| Repeated Bending 900 µm Buffer | 100 cycles -90°/0°/+90°/0° Load = 0.2N  | IEC61300-2-44 |
| Cable Torsion                  | 1.5kg -2.5kg for 2mm-3mm cable diameter   | IEC60794-2-5  |
| Drop                           | 1.5m , 5 times  | IEC61300-2-12 |
| Static Side Load               | 1N , 1h   | IEC61300-2-42 |
| Static Side Load 900 µm Buffer | 0.2N , 5min   | IEC61300-2-42 |
| Cold                           | -25°C , 96h   | IEC61300-2-17 |
| Dry Heat                       | +70°C , 96h   | IEC61300-2-18 |
| Change of temperature          | -25°C to +70°C , 12 cycles  | IEC61300-2-22 |

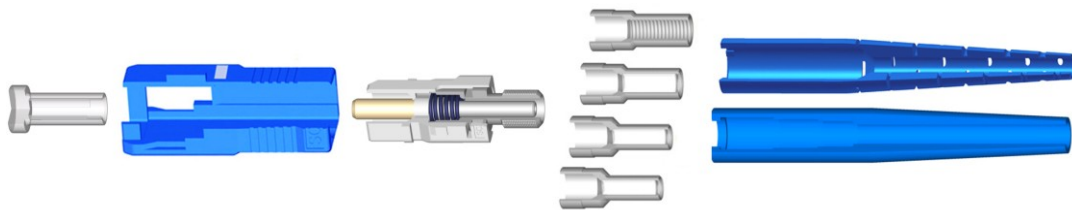
## P A C K A G I N G

Each separate component of the SC duplex crimp type connector is packed as standard in transparent plastic bags of 250 pieces. There is no logo nor any company marking on the bags. The ferrules are packed in blisters of 100 pieces each. Customized packaging and labelling solutions are available on request.

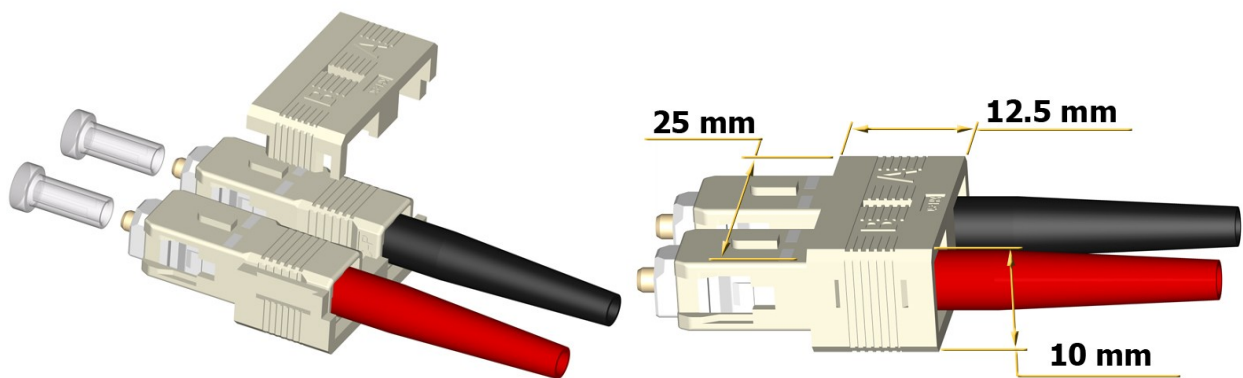
SC Crimp Type Connector Multipiece for Ø 1,6 - 2 - 2,5 - 3 mm cables



SC Crimp Type Connector 1-Piece for Ø 1,6 - 2 - 2,5 - 3 mm cables



Clip for SC Duplex Connector Crimp Type



# COMPONENTS AND MATERIALS

## SC Crimp Type Connector Multipiece for Ø 1,6 - 2 - 2,5 - 3 mm cables

| N° | Component           | Material            | N°  | Component                       | Material                 |
|----|---------------------|---------------------|-----|---------------------------------|--------------------------|
| 1  | Ferrule Cap         | PE LD               | 7.a | Crimp Tube for Cable Ø 3 mm     | Aluminium                |
| 2  | External Housing    | PBT 20% FRP         | 7.b | Crimp Tube for Cable Ø 2.5 mm   | Nickel Plated Zinc Alloy |
| 3  | Internal Housing    | PBT 20% FRP         | 7.c | Crimp Tube for Cable Ø 2 mm     | Nickel Plated Zinc Alloy |
| 4  | Ferrule with flange | Zirconia + Steel    | 7.d | Crimp Tube for Cable Ø 1.6 mm   | Nickel Plated Zinc Alloy |
| 5  | Spring              | Stainless Steel     | 8.a | Boot for Cable Ø 1.6 - 2.0 mm   | Polymer                  |
| 6  | Ferrule Holder      | Nickel Plated Brass | 8.b | Boot for Cable Ø 2.5 - 3.0 mm   | Polymer                  |
|    |                     |                     | 8.c | 90° Boot for Cable Ø up to 3 mm | Polymer                  |

| N° | Component                | Material |
|----|--------------------------|----------|
|    | SC Connector Duplex Clip | PE MD    |

All components of the connector are RoHS and REACH compliant.

# END OF SPECIFICATION