

CY3562-000 | BUDI-S-T-B



BUDI Fiber Optic Wall mount Enclosure, empty for holding Fiber Adapters and FIST Splice Trays, with lock

- Compact, wall mountable fiber enclosures for indoor and outdoor use
- Specifically designed for fast FTTH deployment and easy customer connection
- Available with splicing (FIST) and/or patching and/or splitter combinations
- Multiple and modular wrap around cable port sealing options

Product Classification

Regional Availability	EMEA
Product Type	Fiber wall box
Product Brand	FIST®
Product Series	BUDI

General Specifications

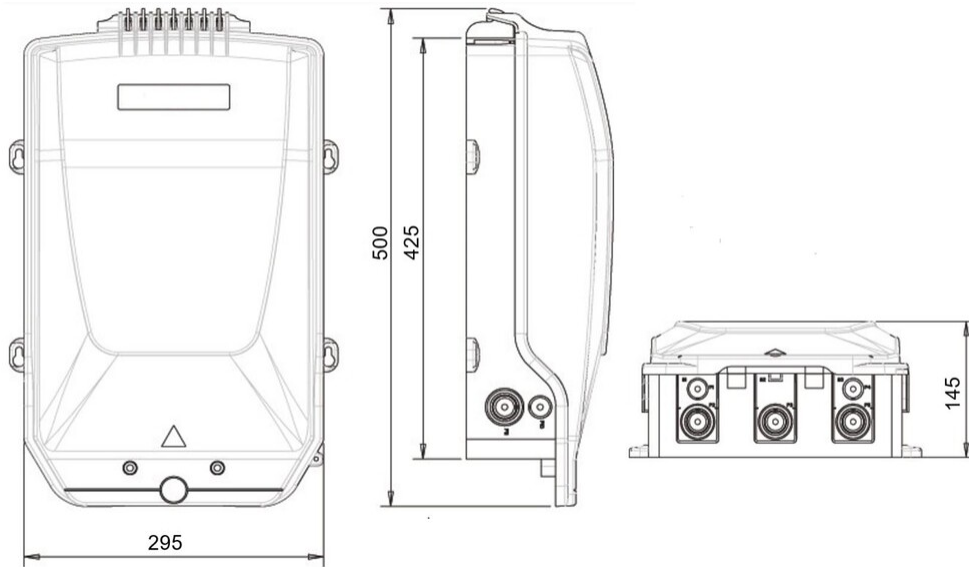
Functionality	Patching Splicing
Access	Front
Enclosure Color	Gray
Front Cover Type	Snap-on cover
Lock Type	Key lock
Mounting	Wall
Splicing Capacity, maximum	144

Dimensions

Height	425 mm 16.732 in
Height, with cover	500 mm 19.685 in
Width	295 mm 11.614 in
Depth	145 mm 5.709 in

Dimension Drawing

CY3562-000 | BUDI-S-T-B



Material Specifications

Enclosure Material Type LSZH thermoplastic

Environmental Specifications

Environmental Space Outdoor

Qualification Standards IEC 60529, IP54 | IEC 61753-1, category G

Packaging and Weights

Packaging quantity 1

Packaging Type Box | Carton

Regulatory Compliance/Certifications

Agency	Classification
CHINA-ROHS	Below maximum concentration value
REACH-SVHC	Compliant as per SVHC revision on www.commscope.com/ProductCompliance
ROHS	Compliant

