

CZ3625-000 | BUDI-2S-T-00NNES



BUDI Fiber Optic Wall mount Enclosure, no adapters, single element FIST splice trays for SMOUV splices

- Compact, wall mountable fiber enclosures for indoor and outdoor use
- Specifically designed for fast FTTH deployment and easy customer connection
- Available with splicing (FIST) and/or patching and/or splitter combinations
- Multiple and modular wrap around cable port sealing options

Product Classification

Regional Availability	EMEA
Product Type	Fiber wall box
Product Brand	FIST®
Product Series	BUDI

General Specifications

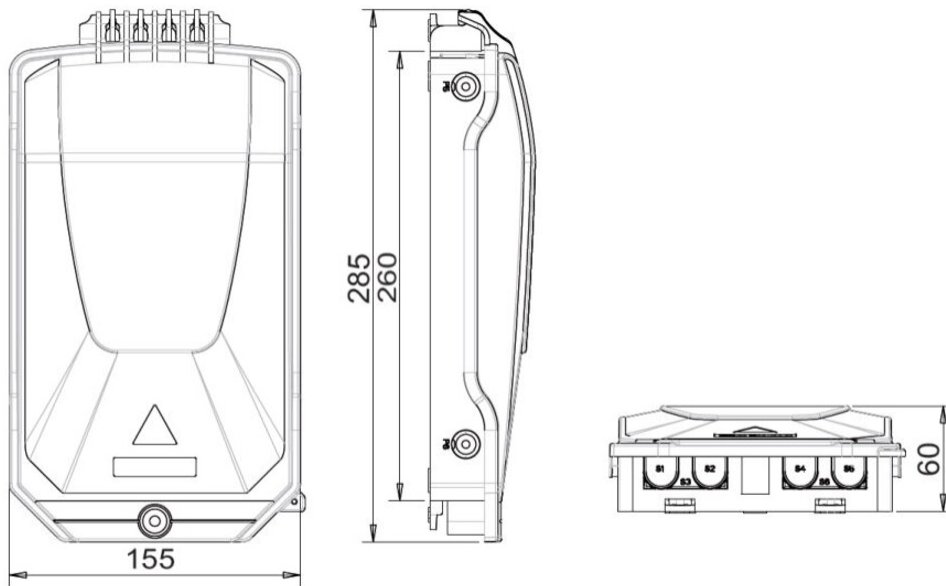
Functionality	Patching Splicing
Access	Front
Enclosure Color	Gray
Front Cover Type	Snap-on cover
Mounting	Wall
Splice Tray Construction	SE (Single element)

Dimensions

Height	260 mm 10.236 in
Height, with cover	285 mm 11.22 in
Width	155 mm 6.102 in
Depth	60 mm 2.362 in

Dimension Drawing

CZ3625-000 | BUDI-2S-T-00NNES



Material Specifications

Enclosure Material Type LSZH thermoplastic

Environmental Specifications

Environmental Space Outdoor

Qualification Standards IEC 60529, IP54 | IEC 61753-1, category G

Packaging and Weights

Packaging quantity 1

Packaging Type Box | Carton

Regulatory Compliance/Certifications

Agency

CHINA-ROHS

REACH-SVHC

ROHS

Classification

Below maximum concentration value

Compliant as per SVHC revision on www.commscope.com/ProductCompliance

Compliant

