



BUDI Fiber Optic Wall mount Enclosure, empty for holding FIST Splice Trays and Fiber Optic Adapters, no lock

- Compact, wall mountable fiber enclosures for indoor and outdoor use
- Specifically designed for fast FTTH deployment and easy customer connection
- Available with splicing (FIST) and/or patching and/or splitter combinations
- Multiple and modular wrap around cable port sealing options

Product Classification

Regional Availability	EMEA
Product Type	Fiber wall box
Product Brand	FIST®
Product Series	BUDI

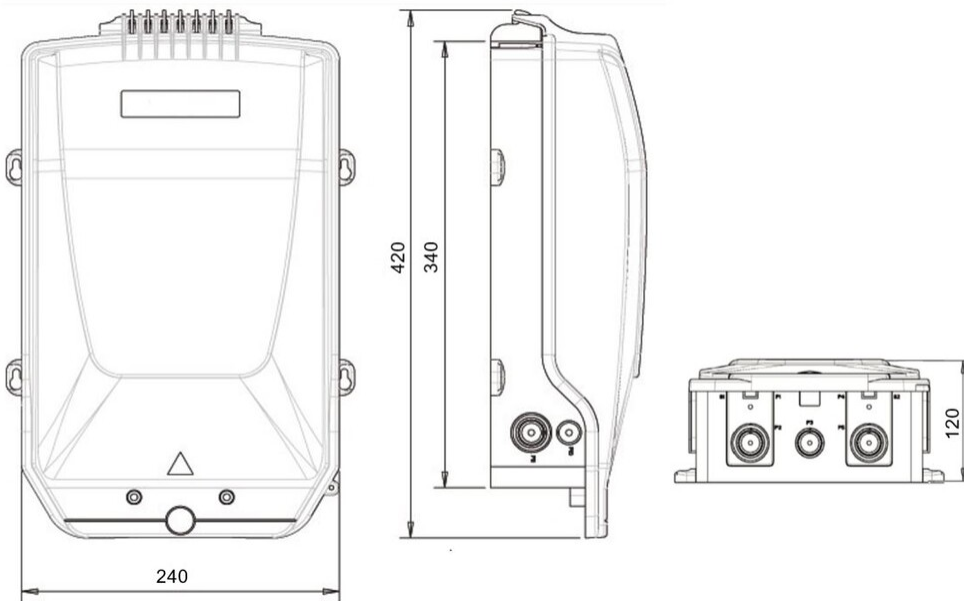
General Specifications

Functionality	Patching Splicing
Access	Front
Enclosure Color	Gray
Front Cover Type	Snap-on cover
Interface	Unloaded
Mounting	Wall
Splicing Capacity, maximum	48

Dimensions

Height	340 mm 13.386 in
Height, with cover	420 mm 16.535 in
Width	240 mm 9.449 in
Depth	120 mm 4.724 in

Dimension Drawing



Material Specifications

Enclosure Material Type LSZH thermoplastic

Environmental Specifications

Environmental Space Outdoor

Qualification Standards IEC 60529, IP54 | IEC 61753-1, category G

Packaging and Weights

Packaging quantity 1

Packaging Type Box | Carton

Regulatory Compliance/Certifications

Agency	Classification
CHINA-ROHS	Above maximum concentration value
REACH-SVHC	Compliant as per SVHC revision on www.commscope.com/ProductCompliance
ROHS	Compliant/Exempted

