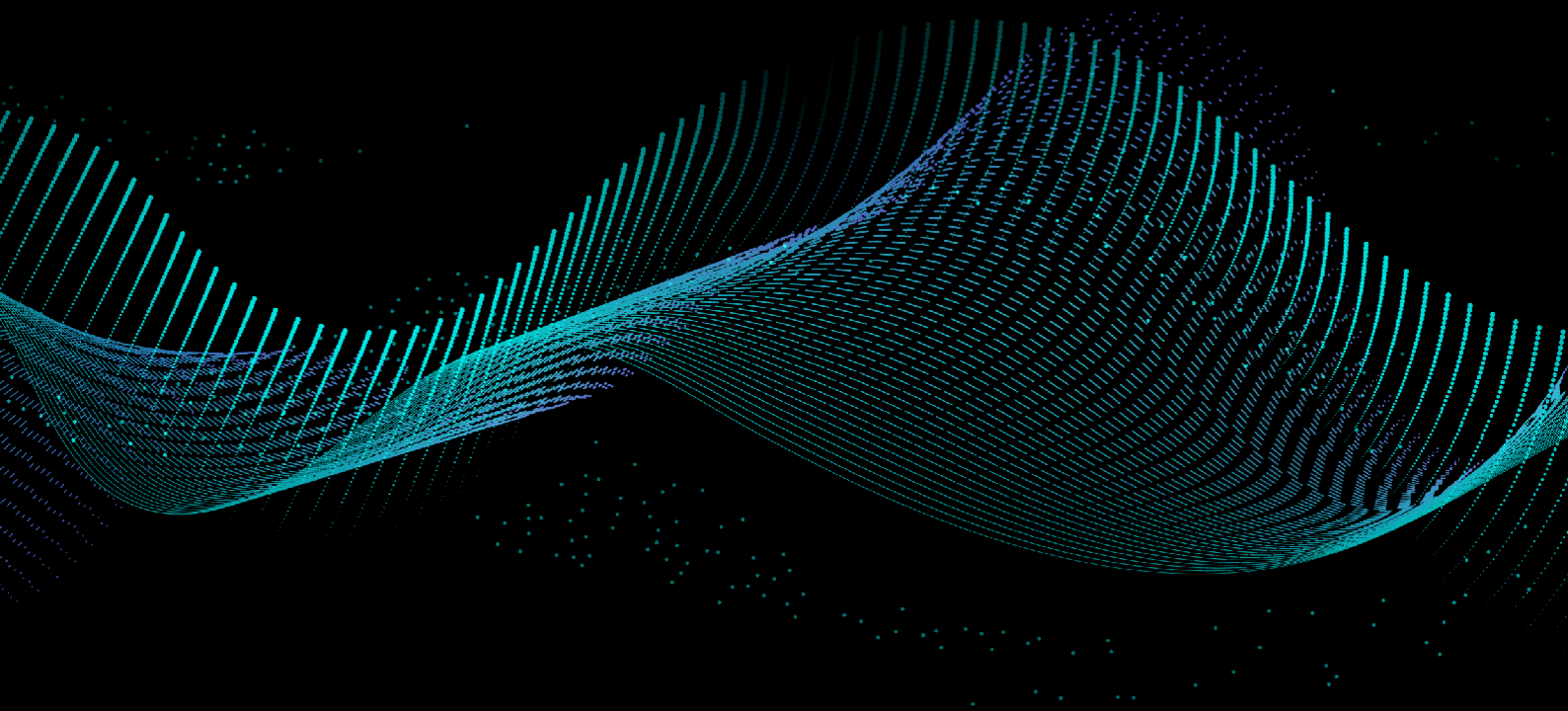


Specification

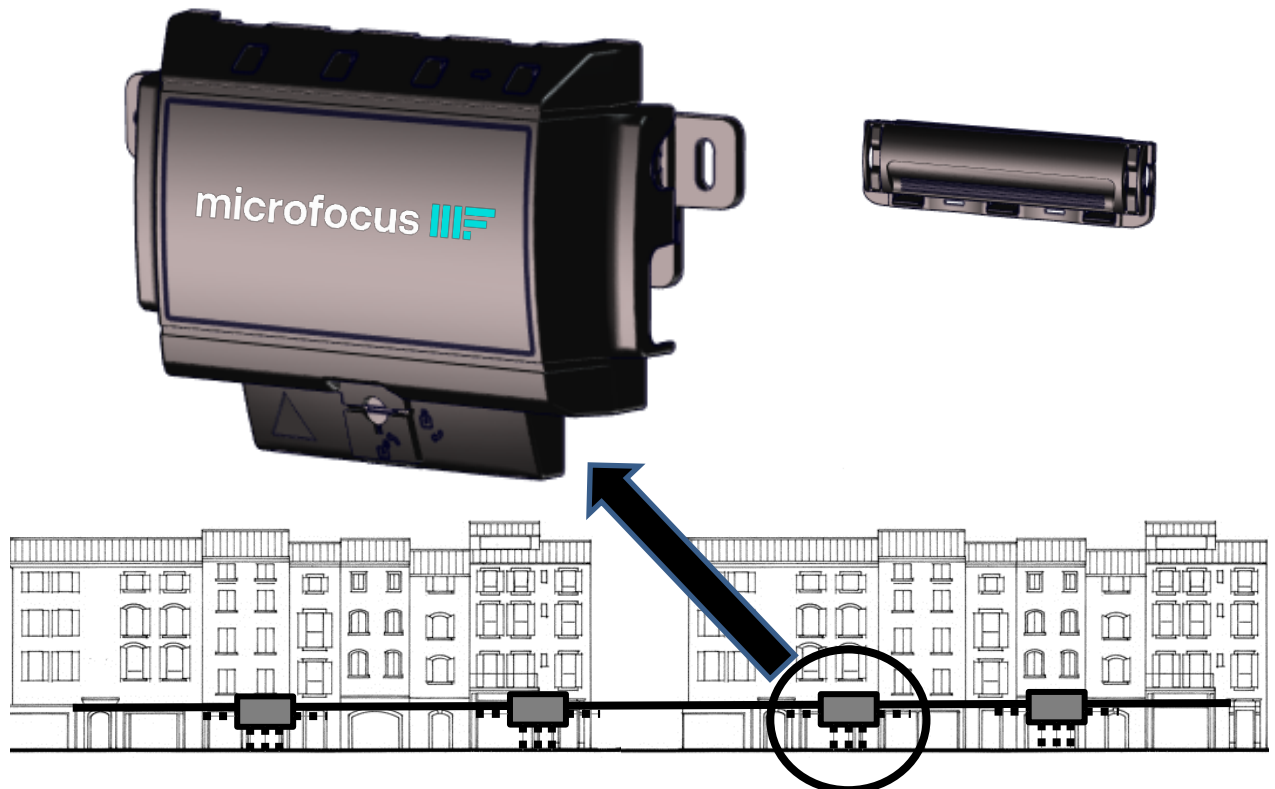
Microfocus Distribution Termination Point – Façade
+ Window-cut Clip Protection



Version: 1.0
Date: 15 May 2023
Author: LvG
Status: Approved by FD

Microfocus Distribution Termination Point - Façade

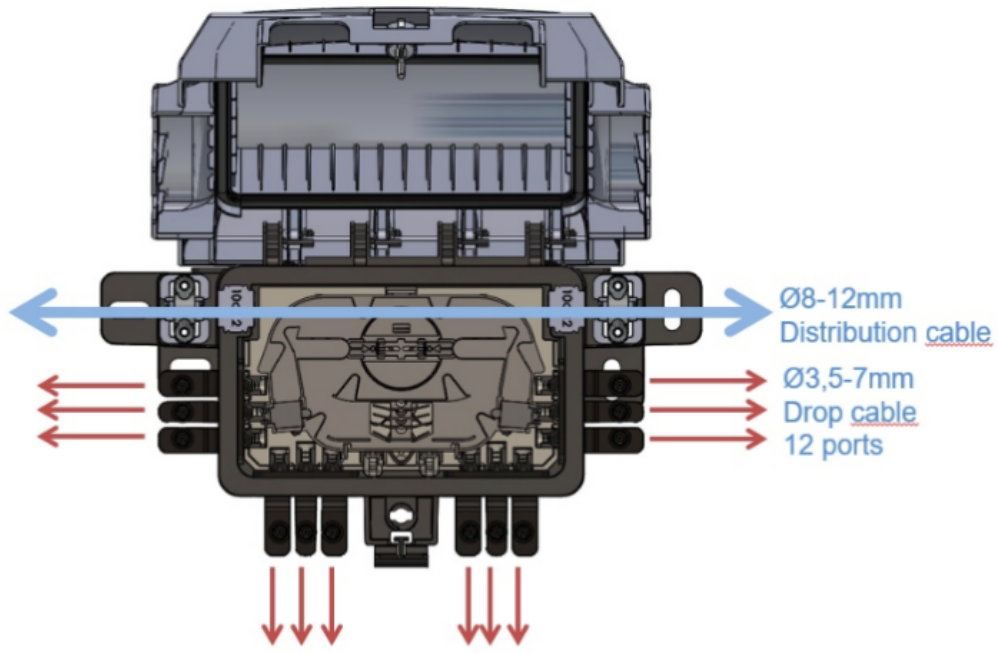
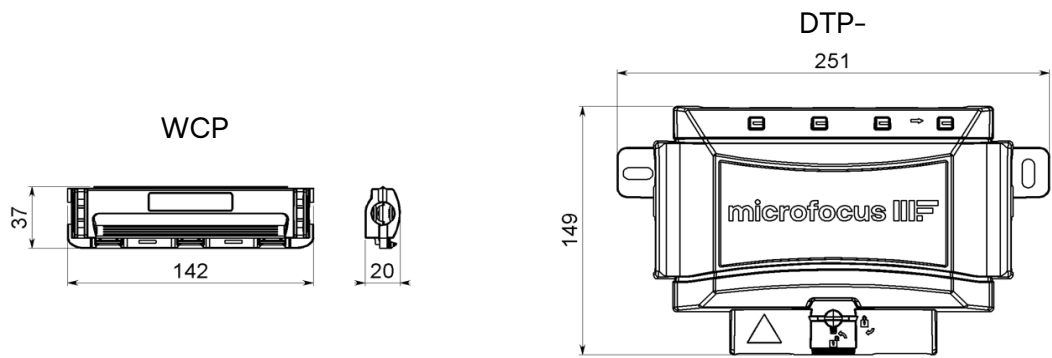
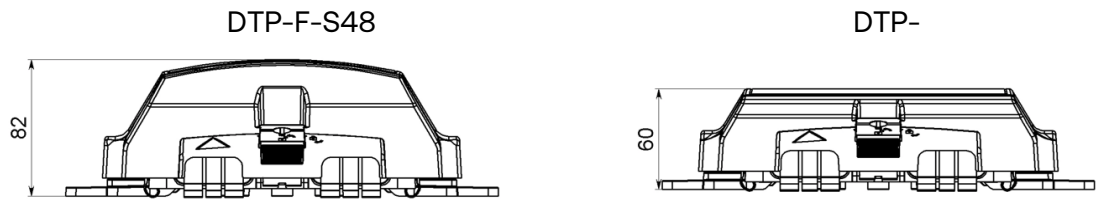
The Microfocus DTP-F is a compact distribution façade closure, dedicated to feed individual or collective dwellings with drop cables, from an in-line distribution cable, deployed along façades.



Design

- > Design optimized to decrease visual impact from the street
- > Cover is designed to hide base and cables ports / Product color can be changed by a simple cover replacement
- > Can be safety locked with a simple screwdriver and sealed
- > Wall fixation holes aligned with in-line cable. Drill can be done in brick joint
- > Installation of fiber into splice trays is easy thanks to patented mobile retainers.

Technical specifications



Ordering information

Characteristic	Value
Product Code	DTP-F-S24
Description	Façade closure for up to 24 splices with 2 trays
Item number	TCL100853
Standard Pack Quantity	1 piece

Characteristic	Value
Product Code	DTP-F-S48
Description	Façade closure for up to 48 splices with 4 trays
Item number	TCL100854
Standard Pack Quantity	1 piece

Characteristic	Value
Product Code	WCP
Description	Façade cable Window Cut Protection
Item number	TCL100855
Standard Pack Quantity	1 piece

Characteristic	Value
Product Code	DTP-F-ECSP-8/12mm
Description	Façade End Cap Seal Plug
Item number	TCL100846
Standard Pack Quantity	1 piece



© Amadys N.V. 2023.

All Rights Reserved. The information contained within this document must not be copied, reprinted or reproduced in any form, either wholly or in part, without the written consent of Amadys N.V. The information is believed correct at the time of issue. Amadys N.V. reserves the right to amend this specification without notice. This specification is not contractually valid unless authorized by Amadys N.V.