



FIST™ GC02 Fiber Optic Splice Closure, Heat Shrink Cable sealing, size BD, no pre-installed fiber trays, 16 ports

- Single-ended, O-ring sealed dome closure for splicing feeder and distribution cables
- Compatible with most common cable types: e.g. loose tube, central core, ribbon fiber
- Universal mounting system (UMS) profiles provide foundation for mounting combinations of FIST splice trays
- Closure can be used in aerial, pedestal and underground (up to 5 meters) environments
- Compatible with CommScope's CWDM modules and optical splitter trays

Product Classification

| | |
|------------------------------|-----------------------------------|
| Regional Availability | EMEA |
| Product Type | Single-ended, round fiber closure |
| Product Brand | FIST™ |
| Product Series | FIST-GC02 |

General Specifications

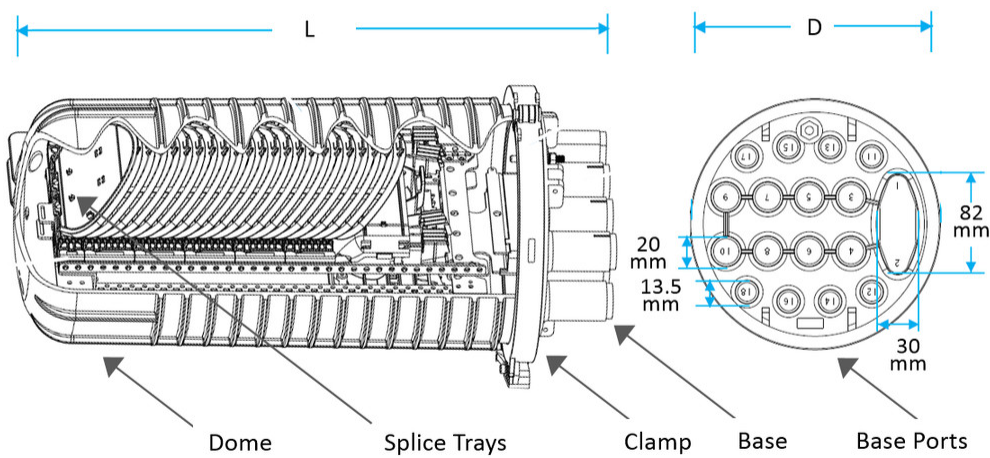
| | |
|---|----------------------------------|
| Cable Entry Drop Port Style | Round |
| Cable Entry Main Port Style | Oval |
| Cable Ports, quantity | 17 |
| Cable Sealing Type | Gel kit (optional) Heat shrink |
| Closure Sealing Type | Dome-to-base clamp with O-ring |
| Closure Style | Single-ended |
| Color | Black |
| Mounting | Pole Strand Wall |
| Network Area Type | Distribution |
| Splice Tray Included, quantity | 0 |
| Splicing Capacity, Mass Fusion, maximum | 336 |
| Splicing Capacity, Single Fusion, maximum | 480 |
| Splicing Capacity, Single Splice, 12 fibers, maximum | 480 |
| Splicing Capacity, Single Splice, 2 fibers, maximum | 160 |
| Splicing Type, Supported | Mass fusion Single fusion |

Dimensions

134894-000 | FIST-GCO2-BD16-NN

| | |
|---|-----------------------------------|
| Length | 566 mm 22.283 in |
| Cable Entry Drop Port Diameter | 14 mm 0.551 in |
| Diameter | 247 mm 9.724 in |
| Diameter, with clamp | 285 mm 11.22 in |
| Main Cable Diameter, maximum | 25 mm 0.984 in |
| Cable Entry Main Port Dimensions | 30 mm x 82 mm (1.18 in x 3.23 in) |

Dimension Drawing



Ordering Tree

FIST-GCO2- _____ - _____

Closure size

| | |
|----|----------------------------------|
| BC | 488 mm long with (2) 28 unit UMS |
| BD | 566 mm long with (2) 42 unit UMS |
| BE | 680 mm long with (2) 58 unit UMS |

Number of ports

| | | |
|----|-------------|---------------------------------------|
| 6 | Round ports | (6: ø 30) + 1 oval port |
| 8 | Round ports | (8: ø 30) + 2 oval ports |
| 16 | Round ports | (8 : ø 20) + 1 oval port (8 : ø 13.5) |

Flash test valve

| | |
|---|--------------------------------|
| V | Pre-installed flash test valve |
| N | No flash test valve |

Ground feed-through

| | |
|---|----------------------------------|
| G | Pre-installed ground feedthrough |
| N | No ground feedthrough |

Material Specifications

Material Type Impact-resistant polymer

Environmental Specifications

Environmental Space Below ground | Buried

Qualification Standards IEC 61300, 5 m waterhead

Packaging and Weights

Packaging quantity 1

Packaging Type Box | Carton

Weight, net 4.4 kg | 9.7 lb

Regulatory Compliance/Certifications

| Agency | Classification |
|---------------|--|
| CHINA-ROHS | Below maximum concentration value |
| ISO 9001:2015 | Designed, manufactured and/or distributed under this quality management system |
| REACH-SVHC | Compliant as per SVHC revision on www.commscope.com/ProductCompliance |
| ROHS | Compliant |

