



615598-000 | FIST-GCO2-BD6-NN

**FIST™ GC02 Fiber Optic Splice Closure, Heat Shrink Cable sealing, size BD, no pre-installed fiber trays, 6 ports**

- Single-ended, O-ring sealed dome closure for splicing feeder and distribution cables
- Compatible with most common cable types: e.g. loose tube, central core, ribbon fiber
- Universal mounting system (UMS) profiles provide foundation for mounting combinations of FIST splice trays
- Closure can be used in aerial, pedestal and underground (up to 5 meters) environments
- Compatible with CommScope's CWDM modules and optical splitter trays

## Product Classification

Brand	FIST™
Product Series	FIST-GCO2
Product Type	Butt feeder and distribution closure
Regional Availability	EMEA

## Body Features

Cable Seal	Gel Kit (optional)   Heat Shrink
Color	Black

## Configuration Features

Port Shape	Oval (1) and round (6)
Flash Test Valve	No
Number of Pre-installed Splice Trays	none
Slack Basket	Optional

## Dimensions

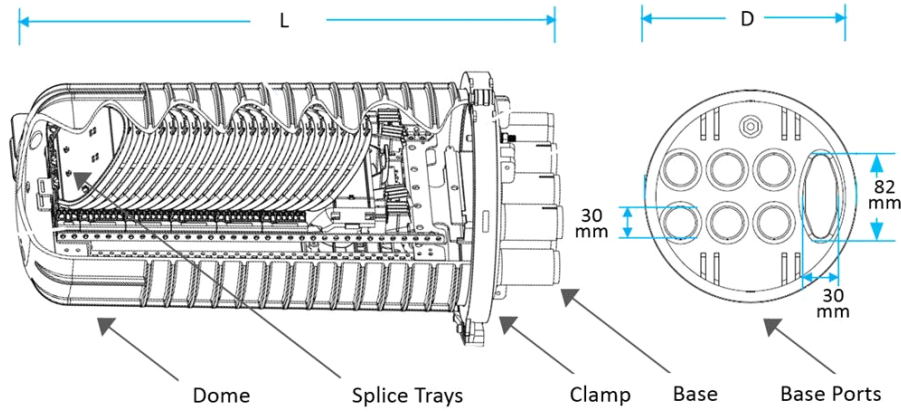
Closure Diameter	247.000 mm   9.724 in
Length	566.00 mm   22.28 in

## Operation/Application

Environment	Direct burial   Manholes
-------------	--------------------------

615598-000 | FIST-GCO2-BD6-NN

## Outline Drawing



## Packaging Features

Minimum Order Quantity	1
Packaging Method	Box/Carton

## Usage Conditions

Weather Resistance	5m waterhead
--------------------	--------------

## Regulatory Compliance/Certifications

**Agency**  
RoHS 2011/65/EU

**Classification**  
Compliant