

# 483578-000 | FIST-GC02-BC6-NN



FIST® GC02 Fiber Optic Splice Closure, Heat Shrink or Gold Gel Cable sealing, size BC, no pre-installed fiber trays, 6 round ports + 1 oval port

- Single-ended, O-ring sealed dome closure for splicing feeder and distribution cables
- Compatible with most common cable types: e.g. loose tube, central core, ribbon fiber
- Universal mounting system (UMS) profiles provide foundation for mounting combinations of FIST splice trays
- Closure can be used in aerial, pedestal and underground (up to 5 meters) environments
- Compatible with CommScope's CWDM modules and optical splitter trays

## Product Classification

<b>Regional Availability</b>	EMEA
<b>Product Type</b>	Single-ended, round fiber closure
<b>Product Brand</b>	FIST®
<b>Product Series</b>	FIST-GC02

## General Specifications

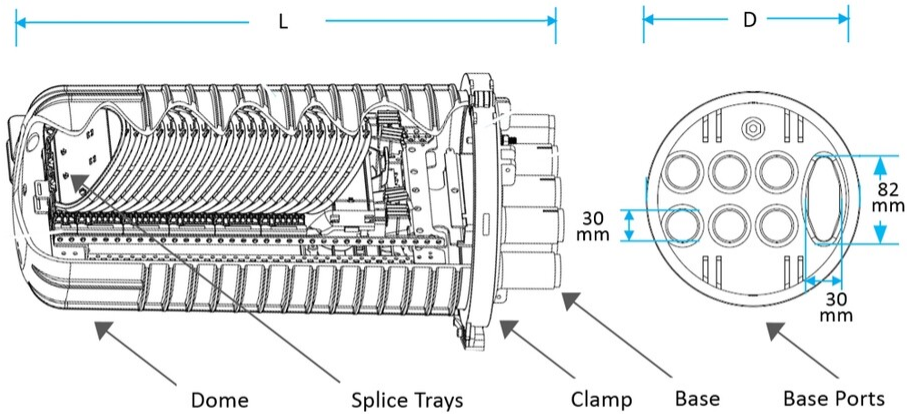
<b>Cable Entry Drop Port Style</b>	Round
<b>Cable Entry Main Port Style</b>	Oval
<b>Cable Ports Quantity, total</b>	1 oval port (2 cables) + 6 round ports
<b>Cable Sealing Type</b>	Gel kit (optional)   Heat shrink
<b>Closure Sealing Type</b>	Dome-to-base clamp with O-ring
<b>Closure Style</b>	Single-ended
<b>Color</b>	Black
<b>Flash Test Valve</b>	None
<b>Ground Feed-through</b>	None
<b>Mounting</b>	Pole   Strand   Wall
<b>Network Area Type</b>	Distribution
<b>Splice Tray Included, quantity</b>	0
<b>Splice Tray Type Included</b>	No trays
<b>Splicing Capacity, Mass Fusion, maximum</b>	1008
<b>Splicing Capacity, Single Fusion, maximum</b>	672

## Dimensions

# 483578-000 | FIST-GCO2-BC6-NN

<b>Length</b>	488 mm   19.213 in
<b>Cable Entry Drop Port Diameter</b>	30 mm (1.18 in) mm
<b>Diameter</b>	247 mm   9.724 in
<b>Diameter, with clamp</b>	285 mm   11.22 in
<b>Main Cable Diameter, maximum</b>	25 mm   0.984 in

## Dimension Drawing



	FIST-GCO2-BC	FIST-GCO2-BD	FIST-GCO2-BE	FIST-GCO2-BF
<b>Length L</b>	488 mm/19.213 in	566 mm/22.283 in	680 mm/26.772 in	795 mm/31.30 in
<b>Width D at base</b>	247 mm/9.724 in	247 mm/9.724 in	247 mm/9.724 in	247 mm/9.724 in
<b>Width D at base with clamp</b>	285 mm/11.22 in	285 mm/11.22 in	285 mm/11.22 in	285 mm/11.22 in

## Port Configuration

	Cables per port	Cable Diameter, min	Cable Diameter, max
<b>1 Oval Port</b>	2	12 mm / 0.472 in	25 mm / 0.984 in
<b>6 Round Ports</b>	1	5 mm / 0.197 in	30 mm / 1.181 in

## Splicing Configuration

# 483578-000 | FIST-GCO2-BC6-NN

	FIST-GCO2-BC	FIST-GCO2-BD	FIST-GCO2-BE	FIST-GCO2-BF
UMS Units	2x28	2x42	2x58	2x64
# SC/SLE 4mm trays	56	80	112	128
# SE 8mm trays	28	40	56	64
# R12 12mm Flat ribbon trays	18	26	36	42
Max single splice capacity SC trays (4F/tray)	224	320	448	512
Max single splice capacity SE trays (12F/SE)	336	480	672	768
Max single splice capacity High dense tray (12F/SLE)	672	960	1344	1536
Max mass splice capacity R12 trays (Flat ribbon)	432	624	864	1008
Max mass splice capacity SE trays (Rollable ribbon G657A2 fiber)	1008	1440	1728	1728

## Ordering Tree

FIST-GCO2- \_\_\_\_\_ - \_\_\_\_\_

### Closure size

BC	488 mm long with (2) 28 unit UMS
BD	566 mm long with (2) 42 unit UMS
BE	680 mm long with (2) 58 unit UMS
BF	795 mm long with (2) 64 unit UMS

### Number of ports

6	Round ports	(6 : ø 30) + 1 oval port
8	Round ports	(8 : ø 30) + 2 oval ports
16	Round ports	(8 : ø 20) + 1 oval port (8 : ø 13.5)

### Flash test valve

V	Pre-installed flash test valve
N	No flash test valve

### Ground feed-through

G	Pre-installed ground feedthrough
N	No ground feedthrough

## Material Specifications

### Material Type

Impact-resistant polymer

## Environmental Specifications

### Environmental Space

Below ground | Buried

### Qualification Standards

IEC 61300, 5 m waterhead

## Packaging and Weights

### Packaging quantity

1

### Packaging Type

Box | Carton

### Weight, net

3.9 kg | 8.598 lb

## Regulatory Compliance/Certifications

### Agency

CHINA-ROHS

ISO 9001:2015

REACH-SVHC

ROHS

### Classification

Below maximum concentration value

Designed, manufactured and/or distributed under this quality management system

Compliant as per SVHC revision on [www.commscope.com/ProductCompliance](http://www.commscope.com/ProductCompliance)

Compliant

